

TGKX.554 - ROOF DECK CONSTRUCTIONS

Design/System/Construction/Assembly Usage Disclaimer

- Authorities Having Jurisdiction should be consulted in all cases as to the particular requirements covering the installation and use of UL Certified products, equipment, system, devices, and materials.
- Authorities Having Jurisdiction should be consulted before construction.
- Fire resistance assemblies and products are developed by the design submitter and have been investigated by UL for compliance with applicable requirements. The published information cannot always address every construction nuance encountered in the field.
- When field issues arise, it is recommended the first contact for assistance be the technical service staff provided by the product manufacturer noted for the design. Users of fire resistance assemblies are advised to consult the general Guide Information for each product category and each group of assemblies. The Guide Information includes specifics concerning alternate materials and alternate methods of construction.
- Only products which bear UL's Mark are considered Certified.

Roof Deck Constructions

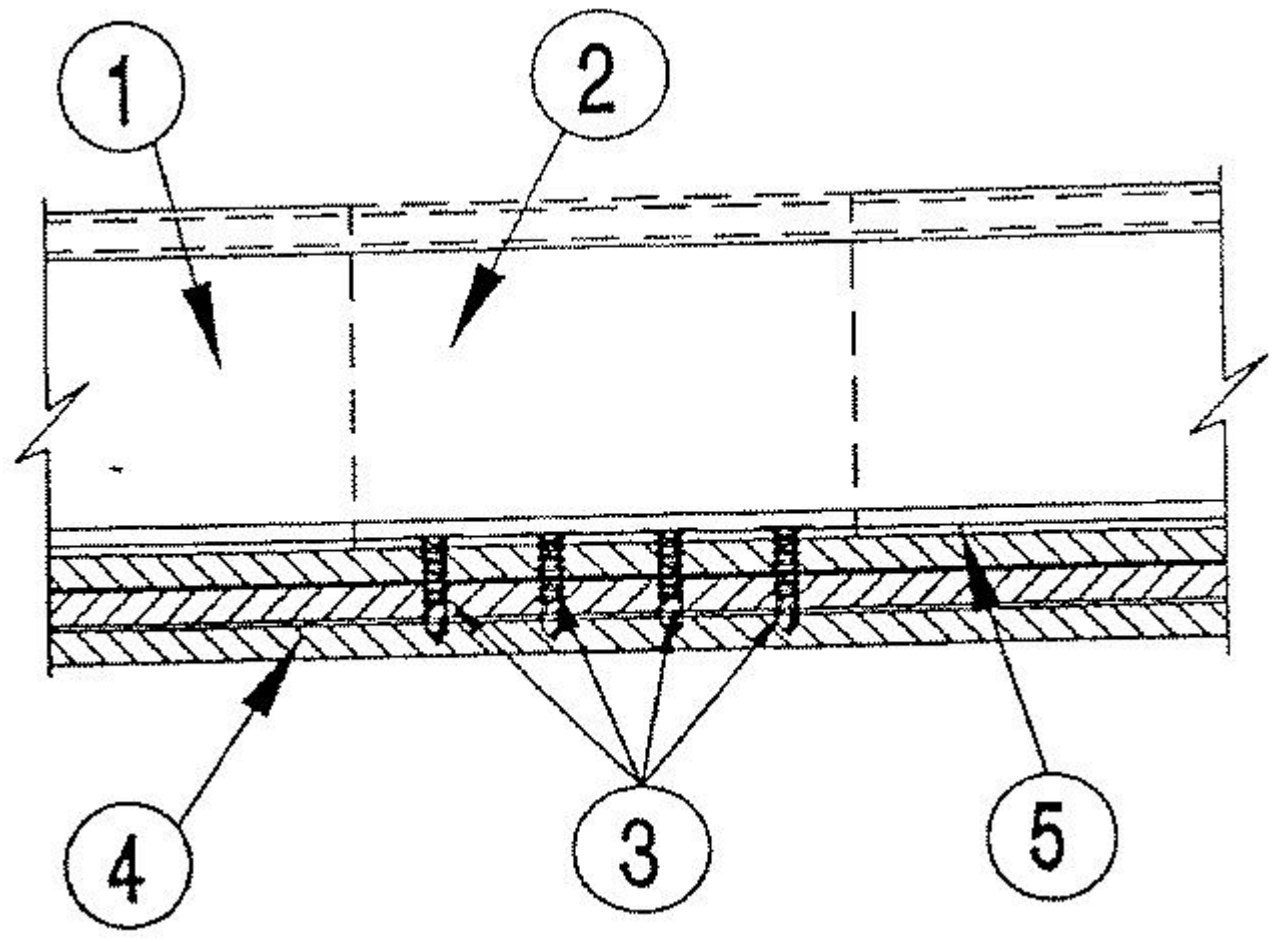
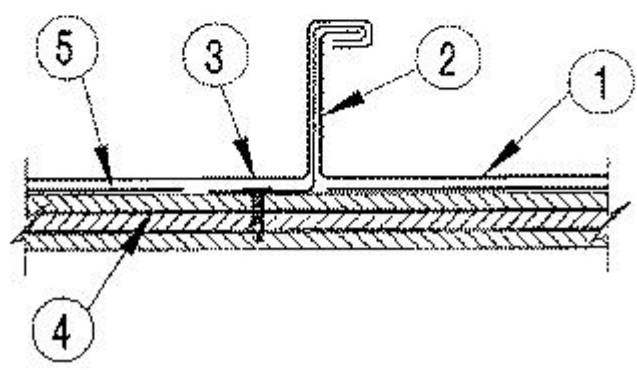
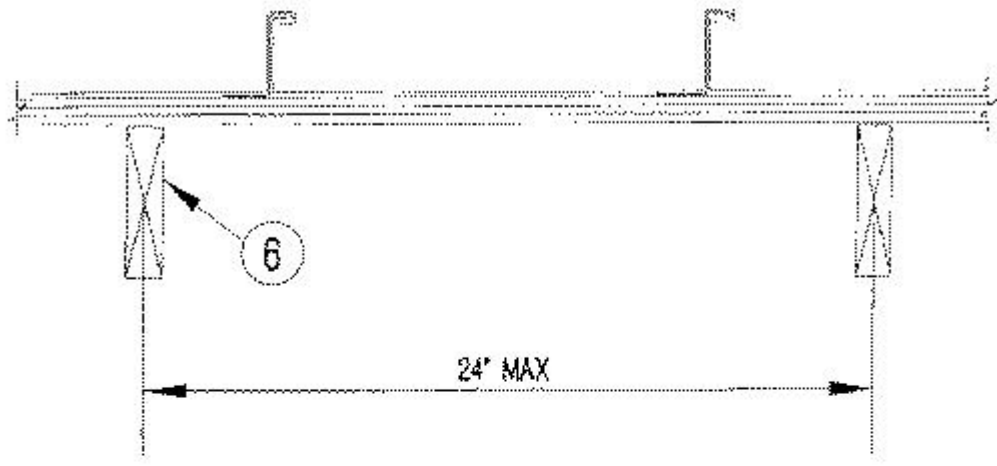
See General Information for Roof Deck Constructions

Construction No. 554

December 19, 2018

Uplift — Class 90

Fire Not Investigated



1. **Metal Roof Deck Panels*** — No. 24 MSG min thick coated steel. Max width 16 in., with 1-1/2 in. high ribs. Panels continuous over three or more clips with no end laps.

AUSTIN STAR ROOFING INC (View Classification) — "DoubleLock 1-1/2 in."

BAKER ROOFING INC — "1.5 in. Mechanical Seamed"

CENTRAL TEXAS METAL ROLLFORMING INC (View Classification) — Spanloc 150

COATED METALS GROUP (View Classification) — "Ultra-Seam 1.5MS"

CREGO METAL SYSTEMS (View Classification) — "CregoSeam"

CUSTOM-BILT METALS (View Classification) — "CB-150"

DISTINCTIVE ROOFING SYSTEMS L L C (View Classification) — "LOCK-SEAM"

DREXEL METALS INC (View Classification) — "DMC 150SS"

ENGLERT INC (View Classification) — "Series 1300"

HPM BUILDING SUPPLY (View Classification) — "Custom-Lock 1.5"

LAWMAN HEATING & COOLING INC (View Classification) — "SS150"

METAL PANEL SYSTEMS INC (View Classification) — "Sure-Lock Panel" or "UC3"

METALLION INDUSTRIES INC (View Classification) — "MI150"

NEW TECH MACHINERY CORP (View Classification) — "SS150"

NU-RAY METALS (View Classification) — "NRM-2000"

PREMIUM PANELS INC (View Classification) — "Premium Lock 150" or "P.L. 150"

RLS METAL SYSTEMS INC (View Classification) — "RLS 150SS"

SAN ANTONIO QUALITY METALS (View Classification) — "ML-150"

SHEFFIELD METALS INTERNATIONAL (View Classification) — "SMI 1 1/2" Mechanical Seam"

GREEN KNIGHT CONSTRUCTION (View Classification) — "1.5" Mechanically Locked System (Single or Double Lock)"

TAYLOR METAL INC, DBA TAYLOR METAL PRODUCTS (View Classification) — "MS150"

THREE DIAMOND FAB LLC (View Classification) — "TDF-SS150"

THE BRYER CO (View Classification) — "TBC-Masterseam"

U S METALS L L C (View Classification) — "US-150"

WINONA HEATING & VENTILATING, INC. (View Classification) — "WHV 1.5"

ZIMMERMAN METALS INC (View Classification) — "SS-1500"

2. **Roof Deck Fasteners*** — (Panel Clips) — One-piece assembly, 1 in. wide, 1-5/8 in. high. Min thickness 0.0225 (No. 24 MSG). Clips spaced 48 in. OC. Four fasteners per clip.

ARCHITECTURAL METAL SPECIALTIES INC (View Classification) — "158-FCU-24-G"

ENGLERT INC (View Classification) — "Series 1300"

3. **Fasteners (Screws)** — Fasteners used to attach the plywood (Item 4) to the joists to be No. 7-6 coarse thread, No. 1 Phillips drive, bugle-head, coated steel wood screws. Panel clip (Item 2) to plywood fasteners to be No. 10-12 by 1 in. long, No. 2 Phillips drive, wafer head plated steel wood screws.

4. **Plywood Decking** — Plywood decking to be nominal 1/2 in. (15/32 in. actual) thick APA Rated sheathing. The grade of the plywood to be B-C.

5. **Underlayment** — One layer of 30 lb. felt, fastened to the plywood deck (Item 4) per manufacturer's instructions. Sides overlapped min 2 in., end laps per manufacturer's instructions.

6. **Joists** — Spaced a maximum of 24 in. OC. Graded dimension lumber, No. 2 or better.

*** Indicates such products shall bear the UL or cUL Certification Mark for jurisdictions employing the UL or cUL Certification (such as Canada), respectively.**

Last Updated on 2018-12-19

The appearance of a company's name or product in this database does not in itself assure that products so identified have been manufactured under UL's Follow-Up Service. Only those products bearing the UL Mark should be considered to be Certified and covered under UL's Follow-Up Service. Always look for the Mark on the product.

UL permits the reproduction of the material contained in the Online Certification Directory subject to the following conditions: 1. The Guide Information, Assemblies, Constructions, Designs, Systems, and/or Certifications (files) must be presented in their entirety and in a non-misleading manner, without any manipulation of the data (or drawings). 2. The statement "Reprinted from the Online Certifications Directory with permission from UL" must appear adjacent to the extracted material. In addition, the reprinted material must include a copyright notice in the following format: "© 2019 UL LLC"