

TGKX.446 - ROOF DECK CONSTRUCTIONS

Design/System/Construction/Assembly Usage Disclaimer

- Authorities Having Jurisdiction should be consulted in all cases as to the particular requirements covering the installation and use of UL Certified products, equipment, system, devices, and materials.
- Authorities Having Jurisdiction should be consulted before construction.
- Fire resistance assemblies and products are developed by the design submitter and have been investigated by UL for compliance with applicable requirements. The published information cannot always address every construction nuance encountered in the field.
- When field issues arise, it is recommended the first contact for assistance be the technical service staff provided by the product manufacturer noted for the design. Users of fire resistance assemblies are advised to consult the general Guide Information for each product category and each group of assemblies. The Guide Information includes specifics concerning alternate materials and alternate methods of construction.
- Only products which bear UL's Mark are considered Certified.

Roof Deck Constructions

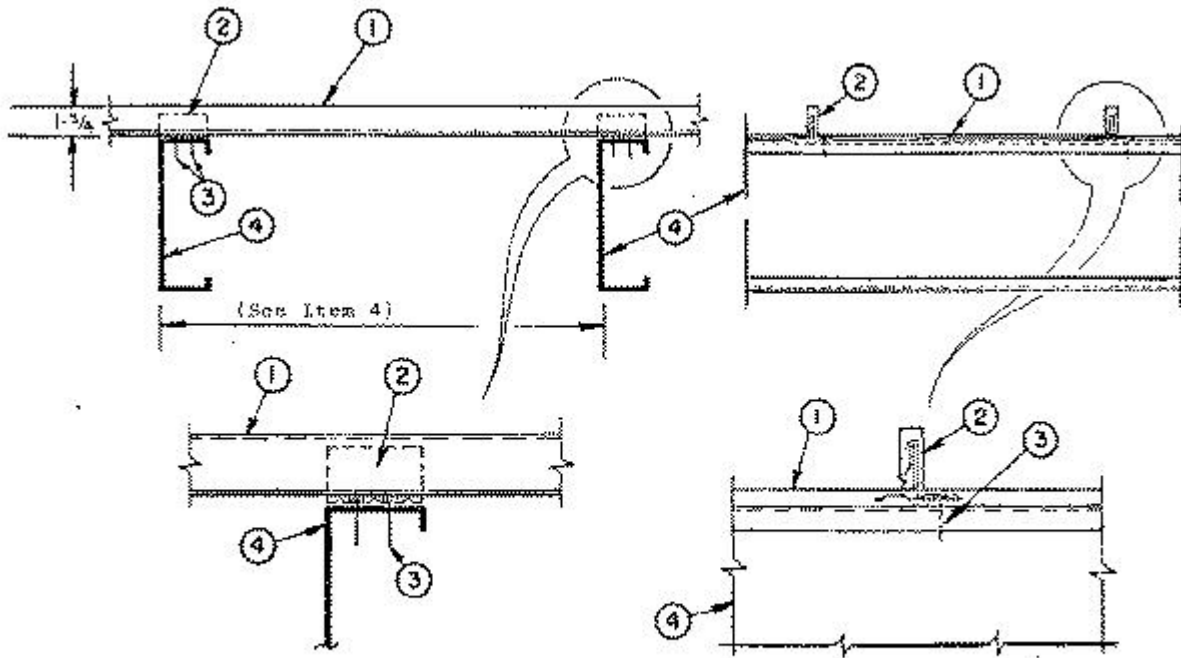
See General Information for Roof Deck Constructions

Construction No. 446

April 02, 2019

Uplift — Class 90

Fire Not Investigated



1. **Metal Roof Deck Panels*** — No. 24 MSG min coated steel. Max panel width 18 in., rib height 1-3/4 in. Panels continuous over two or more spans. No endlaps. A bead of sealant may be used at panel ends and side joints.
A & S BUILDING SYSTEMS L P (View Classification) — "LokSeam"

ACI BUILDING SYSTEMS INC (View Classification) — "SnapLok"

ALLIANCE STEEL INC (View Classification) — "NFS16"

AMERICAN BUILDING COMPONENTS (View Classification) — "LokSeam"

BEACON SALES ACQUISITION INC, DBA COASTAL METAL SERVICE (View Classification) — "EZ Loc"

BORGA STEEL INC (View Classification) — "Vertical Lock"

CENTRAL STATES MFG INC (View Classification) — "Central Snap"

CENTRAL TEXAS METAL ROLLFORMING INC (View Classification) — "Shurloc 175"

FIRESTONE METAL PRODUCTS, A DIV OF FIRESTONE BUILDING PRODUCTS CO LLC (View Classification) — "UC-14"

MBCI (View Classification) — "LokSeam"

MCELROY METAL MILL INC (View Classification) — "ABC Permaseam Panel"

METAL ROOFING SYSTEMS INC (View Classification) — "MRS System 2000"

NCI BUILDING SYSTEMS L P (View Classification) — "LokSeam"

NORTHWEST ROOF TILE & METAL L L C (View Classification) — "LT175"

PSMLV INC DOING BUSINESS AS PENN SHEET METAL (View Classification) — "PSM175SL"

ROLLFAB METAL BUILDING PRODUCTS (View Classification) — "SL-175" or "1.75 Snap Lock Steel Panel"

SHEET METAL WORKS OF ARIZONA (View Classification) — "SL175"

STANDARD STRUCTURES INC (View Classification) — "SnapSeam"

WESTAR ROOFING CORP (View Classification) — "SL175"

WHIRLWIND STEEL BUILDINGS INC (View Classification) — "Weather Snap-12" or "Weather Snap-16"

2. **Roof Deck Fasteners* — (Panel Clips)** — One piece assembly, 3-1/2 in. wide by 1-7/8 in. high. Clip spacing to be 48 in. OC.
AMERICAN BUILDING COMPONENTS (View Classification) — "LokSeam UL 90 Clip"

BEACON SALES ACQUISITION INC, DBA COASTAL METAL SERVICE (View Classification) — "EZ Loc Panel Clip"

FIRESTONE METAL PRODUCTS, A DIV OF FIRESTONE BUILDING PRODUCTS CO LLC (View Classification) — "UC-14 Clip"

LOGAN STAMPINGS INC — "Snap Lock Clip No. 675"

METAL SALES MANUFACTURING CORPORATION (View Classification) — Vertical Seam Clip

NCI BUILDING SYSTEMS L P (View Classification) — "LokSeam UL 90 Clip"

3. **Panel Fasteners — (Screws)** — Screws used to attach panel clips (Item 2) to purlins to be No. 10 by 1 in. long No. 3 self-drilling point, No. 2 Phillips Pancake head. Two screws per clip.

4. **Purlins** — No. 16 MSG min thickness steel (min yield 50 ksi) spaced 48 in. OC.

5. **Insulation** — (Optional) — (Not Shown) — 3 in. thick vinyl faced blanket insulation. To be installed between metal panels (Item 1) and purlins (Item 4).

5A. **Insulation** — (Optional) — (Not Shown) — 1/4 in. thick closed/microcellular polyethylene insulation with foil facing designated "Low-E Insulation™." To be installed between metal panels (Item 1) and purlins (Item 4).

6. **Batten Clips and Cap*** — The followed items may be used in conjunction with the "Design-Lok" panel (Item 1).

A. **Batten Clips*** — Slipped over ribs formed by roof deck panels. One piece assembly formed to engage ribs of "Design-Lok" panels (Item 1) and "Design-Lok Batten Cap" (Item B) spaced 48 in. OC.

METAL SALES MANUFACTURING CORPORATION (View Classification) — Vertical Seam Batten Clip

B. **Batten Cap*** — Slipped over batten clip (Item A), formed to snap over and engage batten clip.

METAL SALES MANUFACTURING CORPORATION (View Classification) — Vertical Seam Batten Cap

Refer to General Information, Roof Deck Constructions, for Items Not Evaluated.

*** Indicates such products shall bear the UL or cUL Certification Mark for jurisdictions employing the UL or cUL Certification (such as Canada), respectively.**

Last Updated on 2019-04-02

The appearance of a company's name or product in this database does not in itself assure that products so identified have been manufactured under UL's Follow-Up Service. Only those products bearing the UL Mark should be considered to be Certified and covered under UL's Follow-Up Service. Always look for the Mark on the product.

UL permits the reproduction of the material contained in the Online Certification Directory subject to the following conditions: 1. The Guide Information, Assemblies, Constructions, Designs, Systems, and/or Certifications (files) must be presented in their entirety and in a non-misleading manner, without any manipulation of the data (or drawings). 2. The statement "Reprinted from the Online Certifications Directory with permission from UL" must appear adjacent to the extracted material. In addition, the reprinted material must include a copyright notice in the following format: "© 2019 UL LLC"