

# TGKX.30 - ROOF DECK CONSTRUCTIONS

## Design/System/Construction/Assembly Usage Disclaimer

- Authorities Having Jurisdiction should be consulted in all cases as to the particular requirements covering the installation and use of UL Certified products, equipment, system, devices, and materials.
- Authorities Having Jurisdiction should be consulted before construction.
- Fire resistance assemblies and products are developed by the design submitter and have been investigated by UL for compliance with applicable requirements. The published information cannot always address every construction nuance encountered in the field.
- When field issues arise, it is recommended the first contact for assistance be the technical service staff provided by the product manufacturer noted for the design. Users of fire resistance assemblies are advised to consult the general Guide Information for each product category and each group of assemblies. The Guide Information includes specifics concerning alternate materials and alternate methods of construction.
- Only products which bear UL's Mark are considered Certified.

---

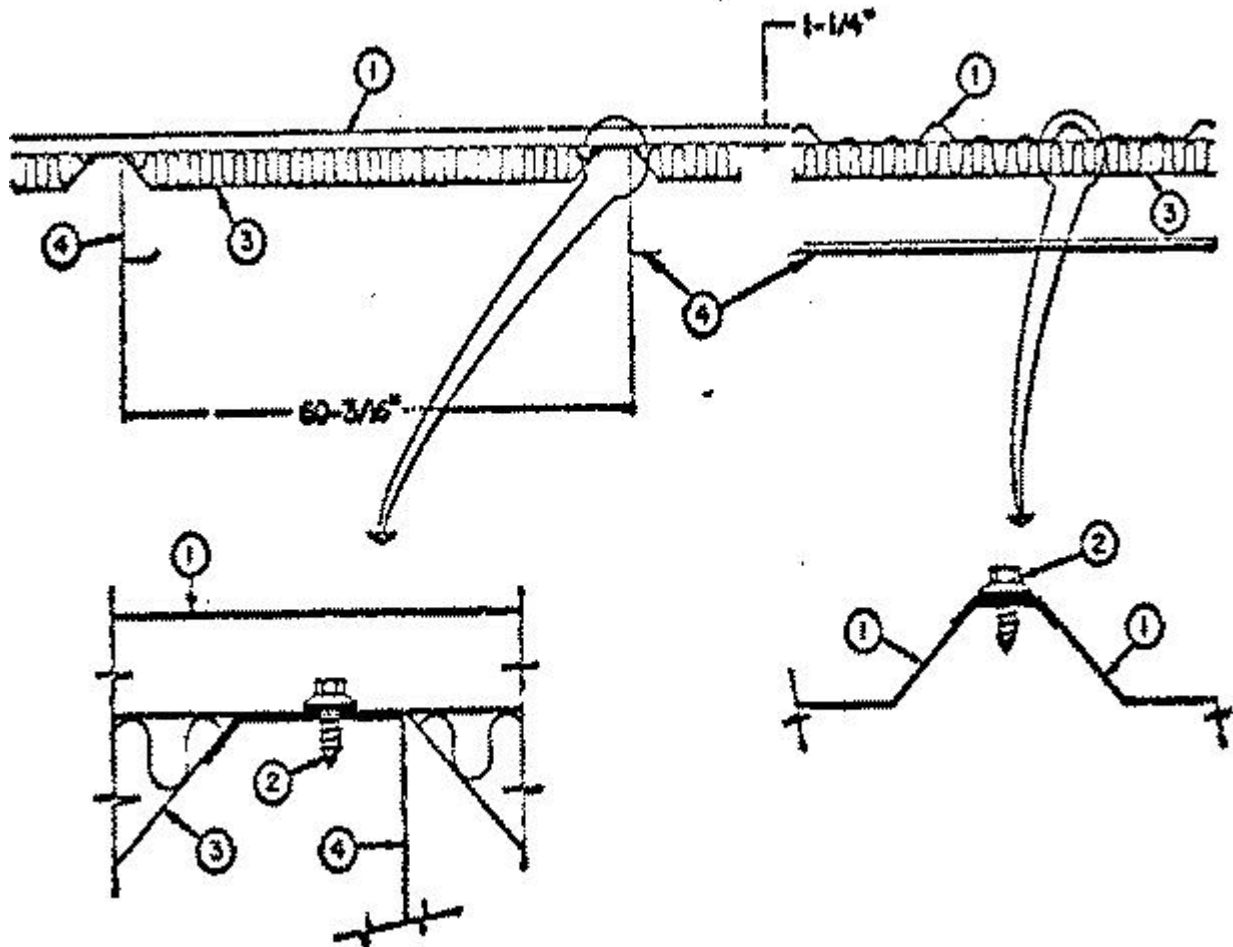
## Roof Deck Constructions

See General Information for Roof Deck Constructions

### **Construction No. 30**

November 07, 2018

**Uplift — Class 90 or Class 30**  
**Fire Not Investigated**



1. **Metal Roof Deck Panels\*** — No. 26 MSG min gauge coated steel. Panels continuous over two or more spans. End laps to occur over purlins with panels overlapped 3 in. min., 6 in. max with lap beginning even with purlin web and extending across purlin flange. A bead of sealant may be used at panel end and side laps.

**A & S BUILDING SYSTEMS L P** (View Classification) — "R or PBR"

**ACI BUILDING SYSTEMS INC** (View Classification) — "R" or "PBR Panel"

**ALLSOUTH PRE-ENGINEERED COMPONENTS L L C** (View Classification) — "R" or "PBR" Panel

**ALL STEEL BUILDINGS & COMPONENTS TUBULAR DIVISION INC** (View Classification) — "R or PBR panel"

**ALLIANCE STEEL INC** (View Classification) — "Alliance PBR"

**AMERICAN BUILDING COMPONENTS** (View Classification) — "R or PBR Panel"

**BERRIDGE MFG CO** (View Classification) — "R Panel"

**BORGA STEEL INC** (View Classification) — "BSP"

**BRIDGER STEEL** (View Classification) — "PBR Panel"

**BUILDING COMPONENTS INC** (View Classification) — "R-Panel" or "PBR-Panel"

**BBM STEEL BUILDINGS INC** (View Classification) — "R-Panel"

**B C STEEL BUILDINGS INC** (View Classification) — "R/PBR"

**CENTRAL TEXAS METAL ROLLFORMING INC** (View Classification) — "R-Panel" or "PBR-Panel"

**CO BUILDING SYSTEMS** (View Classification) — "R" or "PBR"

**CORLE BUILDING SYSTEMS INC** (View Classification) — "R Panel"

**CREGO METAL SYSTEMS** (View Classification) — "CMR"

**EAST TEXAS ARCHITECTURAL SHEETMETAL L L C, DBA ETAS INC** (View Classification) — "R Panel"

**FLATIRON STEEL** (View Classification) — "PBR"

**H&H METAL PRODUCTS INC** (View Classification) — "PBR Panel"

**HORIZON STRUCTURAL SYSTEMS** (View Classification) — "R" or "PBR"

**INDACO METALS L L C** (View Classification) — "Indaco R" or "Indaco PBR"

**JAG METALS LLC** (View Classification) — "PBR Panel"

**KIRBY BUILDING SYSTEMS INC** (View Classification) — "Kirby Rib"

**JNL STEEL COMPONENTS INC** (View Classification) — "R-PANEL" or "PBR-PANEL"

**MARLYN METALS INC** (View Classification) — "R" or "PBR"

**MBCI** (View Classification) — "R" or "PBR"

**MESCO METAL BUILDINGS** (View Classification) — "R or PBR"

**NCI BUILDING SYSTEMS L P** (View Classification) — "R" or "PBR"

**NORTHLAND STEEL AND TRIM** (View Classification) — "R-Panel"

**OAKLAND METAL BUILDINGS INC** (View Classification) — "PBR"

**PINNACLE STRUCTURES INC** (View Classification) — "PBR"

**PRIME BUILDING COMPONENTS L L C** (View Classification) — "R Panel"

**RIGID GLOBAL BUILDINGS L L C** (View Classification) — "R" or "PBR"

**SAN ANTONIO QUALITY METALS** (View Classification) — "R-Panel"

**SCHULTE BUILDING SYSTEMS INC** (View Classification) — "R" or "PBR" Panel

**SOUTHWEST METAL COMPONENTS AND SUPPLY LP** (View Classification) — "R-Panel" or "PBR"

**TAYLOR & SONS PIPE & STEEL INC** (View Classification) — "R-Panel"

**TERRY BUILDING CO INC** (View Classification) — "R" Panel

**TEXAS BUILDING AND ROOFING SUPPLIES INC** — "R" or "PBR" Panel

**TSB INDUSTRIAL INC** (View Classification) — "R" Panel

**UNION CORRUGATING CO** (View Classification) — "R-Panel" or "PBR-Panel"

**WEST TEXAS STEEL & SUPPLY** (View Classification) — "R" or "PBR"

**WHIRLWIND STEEL BUILDINGS INC** (View Classification) — "Super-Span (X)"

2. **Panel Fasteners** — For panel to purlin and panel to panel connections to be No. 14 self-tapping, hex-head, plated steel or stainless steel screws with a separate 5/8 in. O.D. steel or aluminum washer and a separate neoprene sealing washer. Length: For panel to panel fasteners to be 3/4 in. for insulation up to 3 in. thick and 1-1/4 in. for insulation over 3 in. thick.  
For panel to panel fasteners to be 3/4 in.

**For Class 90:** Spacing for panel to purlin connections to be in a 4-8-4-8 in. pattern located 2 in. from the center line on both sides of each major rib. Spacing at end laps to be the same. Spacing for panel to panel connections to be 20 in. O.C. max with a fastener located over each purlin.

**For Class 30:** For panel to purlin connections to be 12 in. O.C. located 2 in. from the center line of each major rib. Spacing at end laps to be the same. Spacing for panel to panel connections to be 20 in. O.C. with a fastener located over each purlin.

Pilot holes: For panel to purlin fasteners to be 13/64 in. diam.

For panel to panel fasteners to be 1/8 in. diam.

As an alternate fastener: No. 12-14 self-drilling, self-tapping, 1/2 in. hex-washer head Type B, steel or stainless steel screws with a neoprene sealing washer may be used. Length: For panel to purlin fasteners to be 1 in. for insulation up to 3 in. and 1-1/2 in. for insulation over 3 in. for panel to panel connections to be 1 in. Spacing to be the same.

3. **Insulation** — (Optional) — Any compressible blanket insulation, 4 in. max thickness before compression.

4. Purlins —

**For Class 90:** No. 14 MSG min gauge steel.

**For Class 30:** No. 16 MSG min gauge steel.

(50,000 psi min yield strength).

5. **Lateral Bracing** — (Not illustrated) As required.

Refer to General Information, Roof Deck Construction, (Roofing Materials and Systems Directory) for Items not evaluated.

**\* Indicates such products shall bear the UL or cUL Certification Mark for jurisdictions employing the UL or cUL Certification (such as Canada), respectively.**

Last Updated on 2018-11-07

---

The appearance of a company's name or product in this database does not in itself assure that products so identified have been manufactured under UL's Follow-Up Service. Only those products bearing the UL Mark should be considered to be Certified and covered under UL's Follow-Up Service. Always look for the Mark on the product.

UL permits the reproduction of the material contained in the Online Certification Directory subject to the following conditions: 1. The Guide Information, Assemblies, Constructions, Designs, Systems, and/or Certifications (files) must be presented in their entirety and in a non-misleading manner, without any manipulation of the data (or drawings). 2. The statement "Reprinted from the Online Certifications Directory with permission from UL" must appear adjacent to the extracted material. In addition, the reprinted material must include a copyright notice in the following format: "© 2019 UL LLC"