



Central Texas Metal Roofing Supply Co., Inc.

## U / PBU Panel

# STANDARD DETAILS

Austin - Headquarters/Sales Office  
830 Sagebrush Drive Austin, TX 78758  
(512) 452-1515 (800) 428-7412  
Fax (512) 833-7499

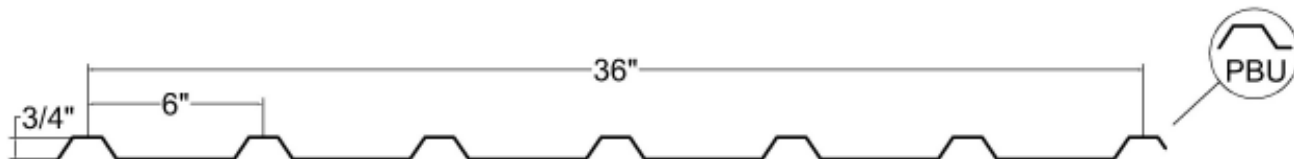
[www.ctmrs.com](http://www.ctmrs.com)  
email: [info@ctmrs.com](mailto:info@ctmrs.com)

Seguin - Plant/Sales Office  
720 West IH 10 Seguin, TX 78155  
(830) 379-3600 (877) 622-8677  
Fax (830) 379-8753

# U / PBU PANEL

# INSTALLATION

## ARCHITECT / ENGINEERING DATA



## GENERAL DESCRIPTION

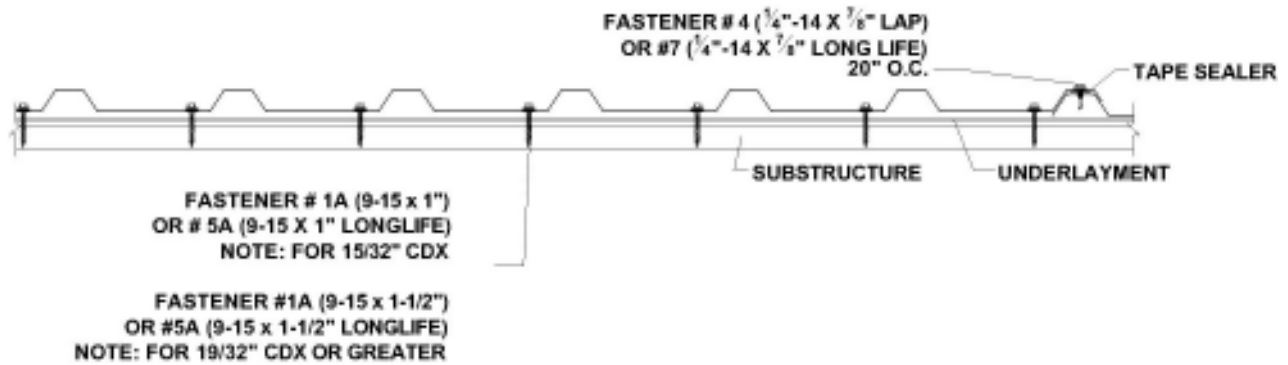
- Rib height : 3/4"
- Coverage widths: 36"
- Optional purlin bearing rib (PBU).
- Minimum slope: 1:12
- Panel attachment: Exposed Fastener.
- Panel Substrate: Galvalume or Galvanized.
- Gauges: 29, 26, 24 or 22
- Coatings: Acrylic Coated Galvalume  
Silicone Modified Polyester Paint System  
Kynar 500 Paint System  
Other substrates and finishes available, please inquire.

- Use a properly aligned and uniform substructure to avoid panel distortion. Typical substructures include plywood and OSB. All substructure must be properly engineered to meet specified design loads. For illustration purposes, details are shown over plywood decking.
- Any mechanical attachment device that does not lay flat on the deck will telegraph through the panels.
- Panels can be used on roofs with transitions or slope changes.
- All panels are subject to surface distortion due to improperly applied fasteners. Overdriven fasteners will cause stress and induce oil canning across the face of the panel at or near the point of attachment. Standard CTMRS fasteners are recommended for attachment to metal and wood for all architectural panels. Use maximum caution when fastening to a wood structure.
- All panels require sealant at eave or valley conditions.

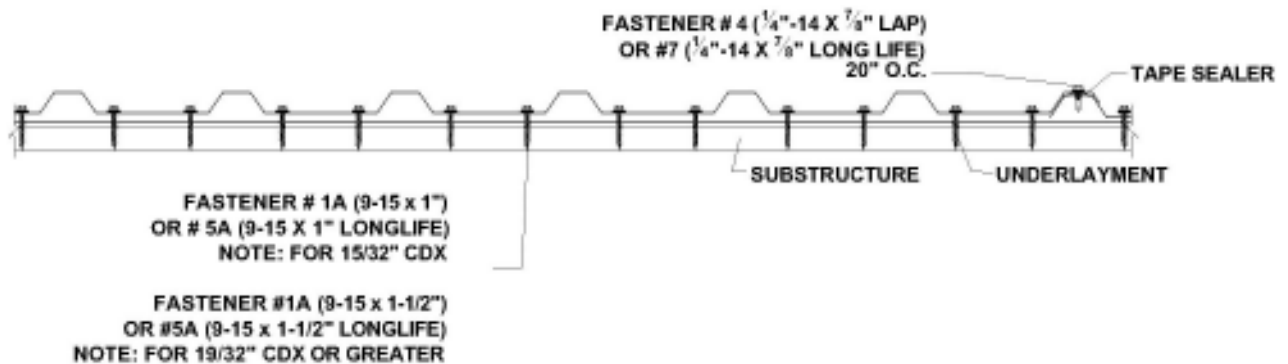
# U / PBU PANEL INSTALLATION

## FASTENER TYPICAL DETAILS

### FASTENER PATTERN TYPE 1 (INTERIOR)



### FASTENER PATTERN TYPE 2 (EXTERIOR)

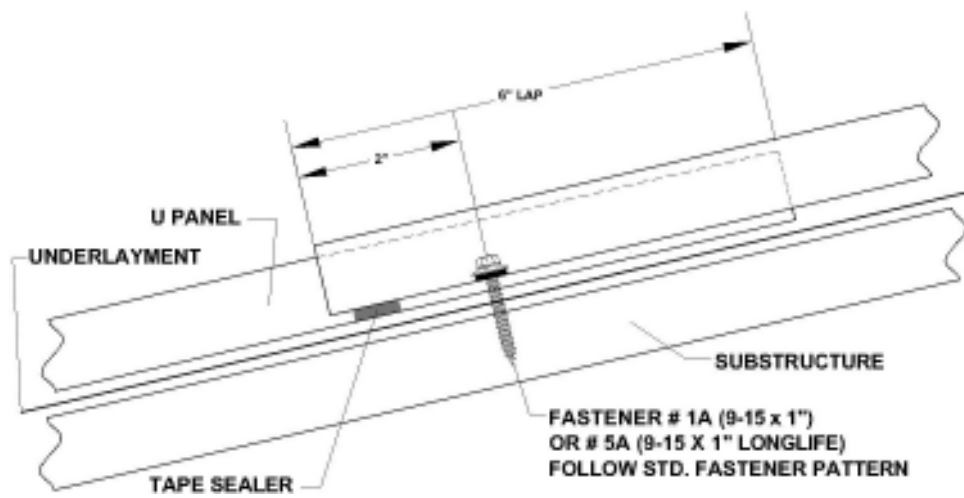


**NOTE:**

Fastener Pattern Type 2 is required on the entire roof for TDI Texas Windstorm approval.

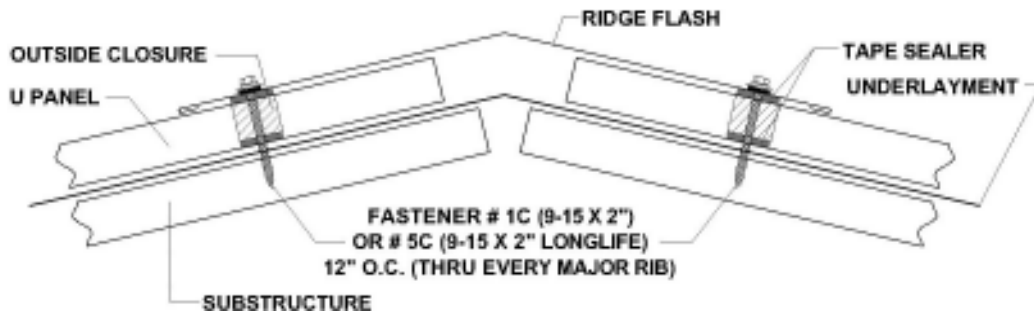
# U / PBU PANEL INSTALLATION

## ENDLAP TYPICAL DETAILS



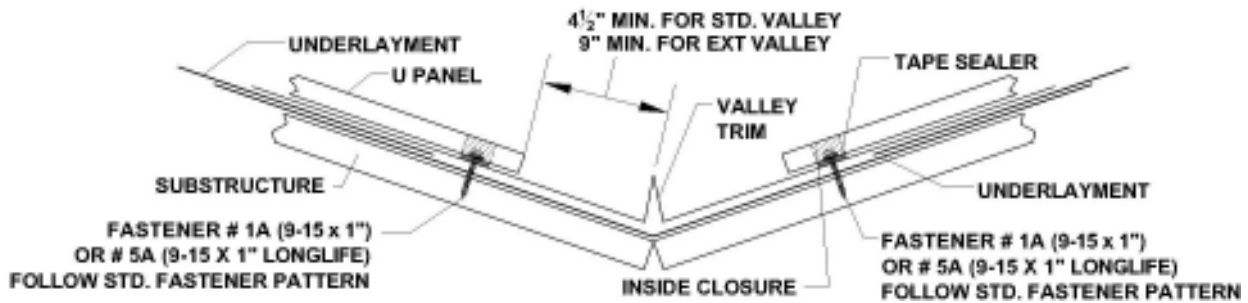
# U / PBU PANEL INSTALLATION

## RIDGE/HIP TYPICAL DETAILS



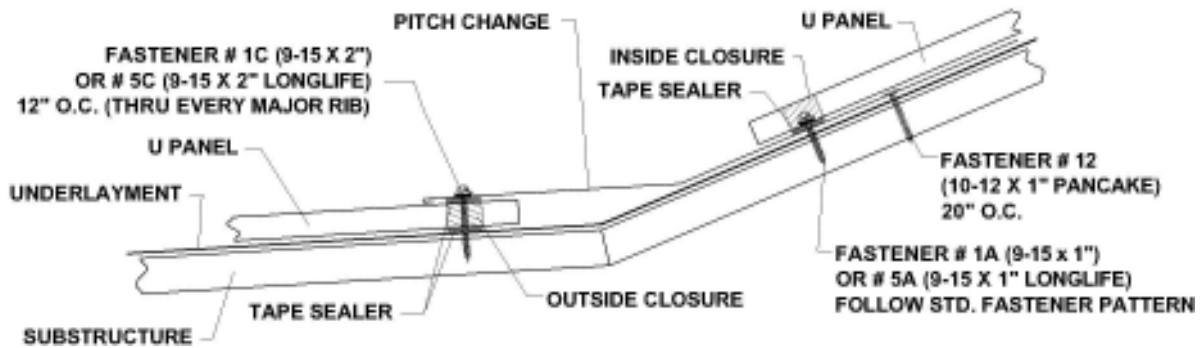
# U / PBU PANEL INSTALLATION

## VALLEY TYPICAL DETAILS



# U / PBU PANEL INSTALLATION

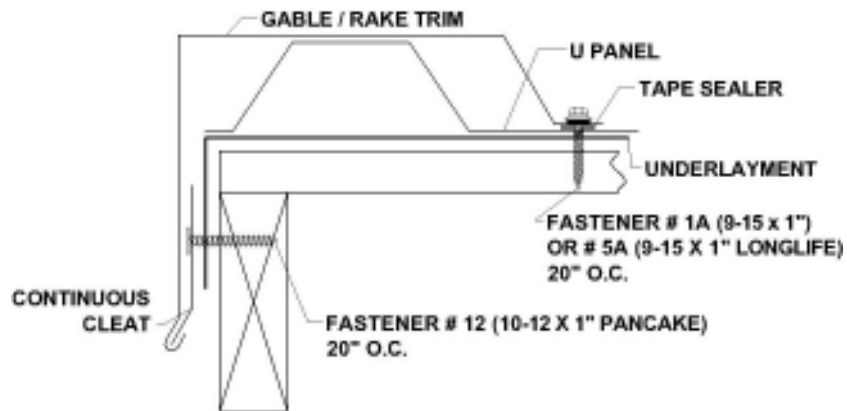
## PITCH CHANGE TYPICAL DETAILS



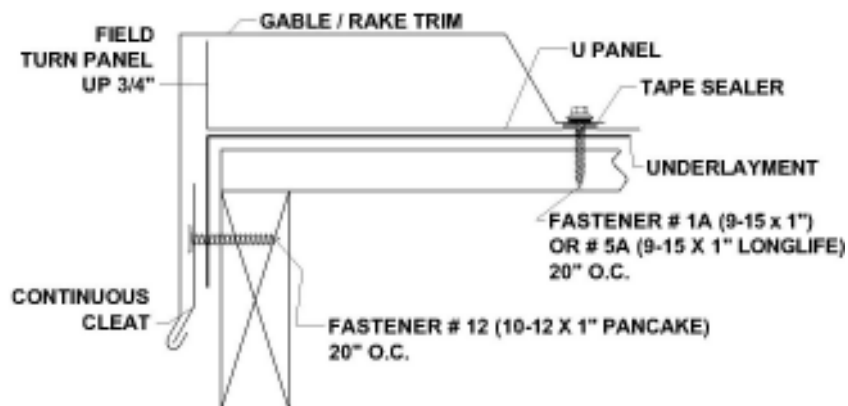
# U / PBU PANEL INSTALLATION

## FIXED RAKE TYPICAL DETAILS

### FINISHING ON MODULE



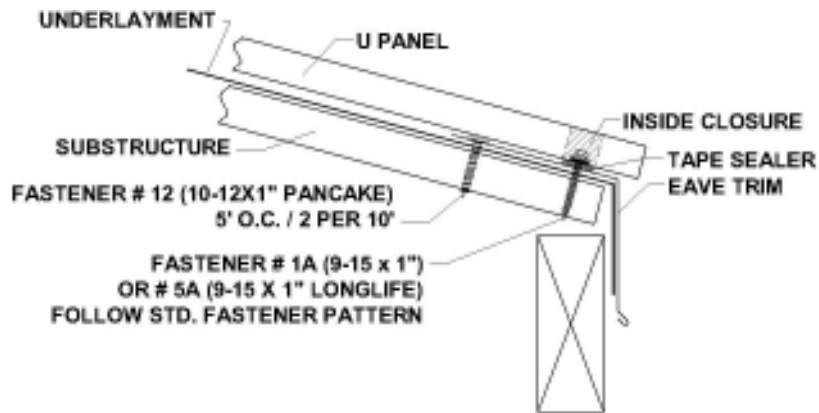
### FINISHING OFF MODULE



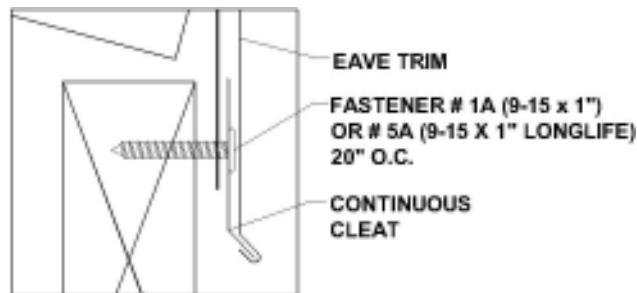


# U / PBU PANEL INSTALLATION

## EAVE TYPICAL DETAILS

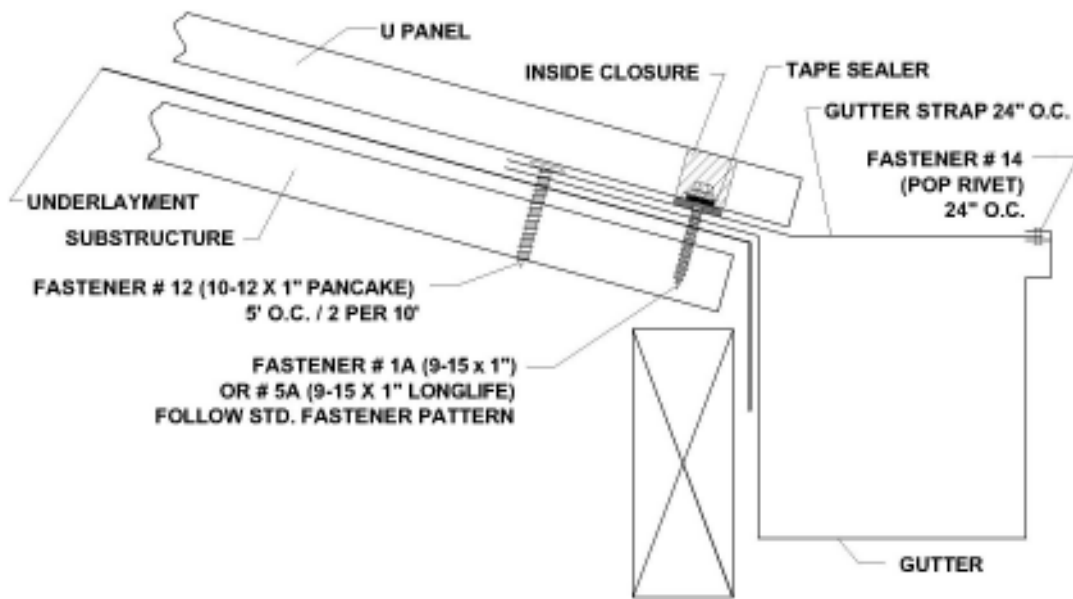


## ALTERNATIVE EAVE



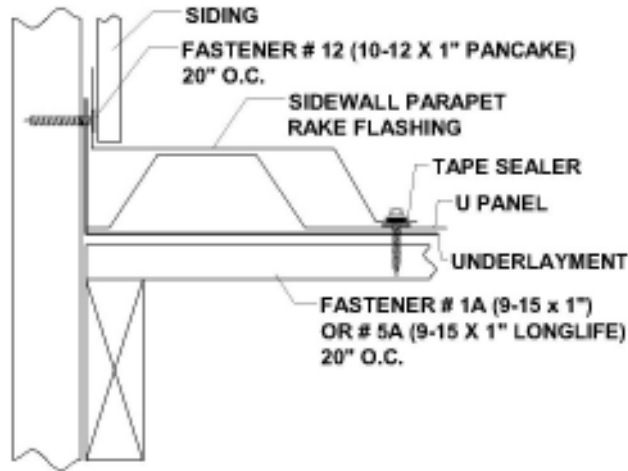
# U / PBU PANEL INSTALLATION

## GUTTER TYPICAL DETAILS

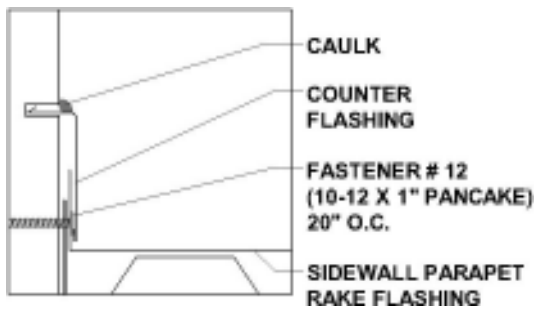


# U / PBU PANEL INSTALLATION

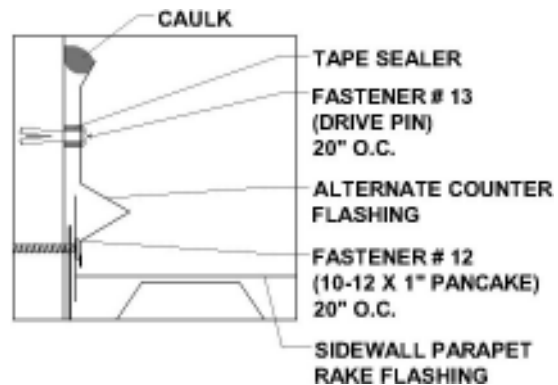
## FIXED SIDEWALL TYPICAL DETAILS



### COUNTER FLASHING

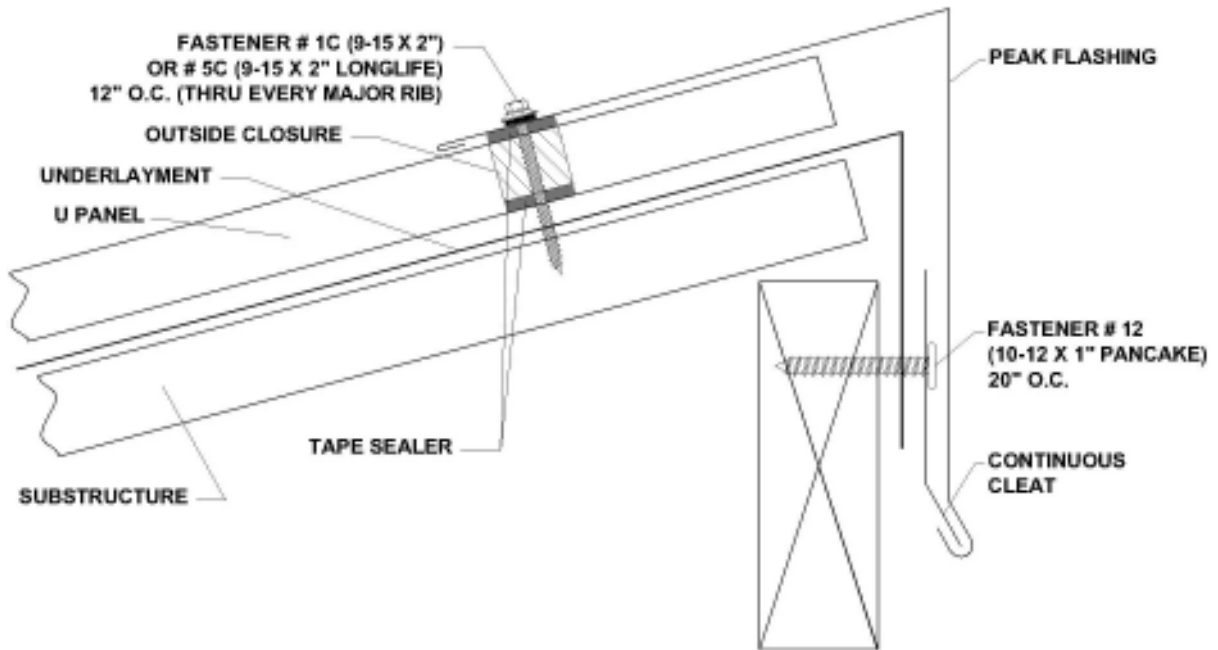


### ALTERNATE COUNTER FLASHING



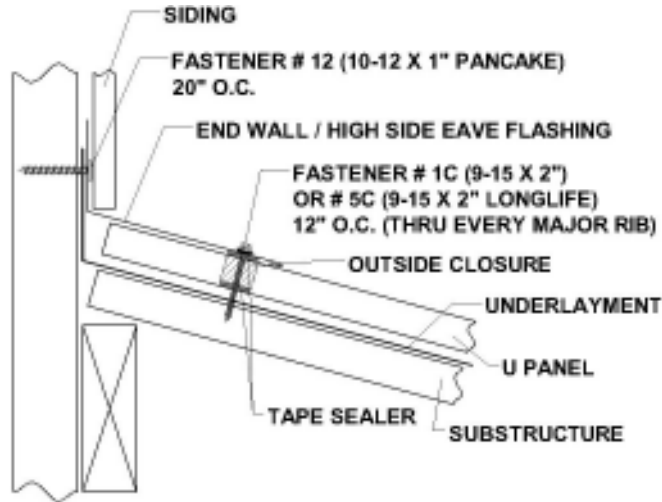
# U / PBU PANEL INSTALLATION

## PEAK TYPICAL DETAILS

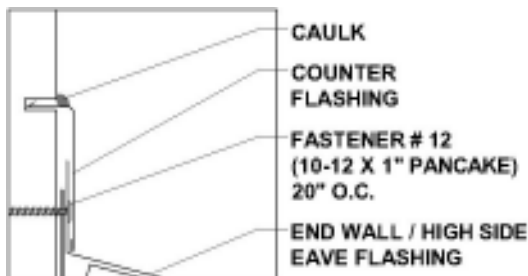


# U / PBU PANEL INSTALLATION

## ENDWALL TYPICAL DETAILS



### COUNTER FLASHING



### ALTERNATE COUNTER FLASHING

