

TGKX.529 - ROOF DECK CONSTRUCTIONS

Design/System/Construction/Assembly Usage Disclaimer

- Authorities Having Jurisdiction should be consulted in all cases as to the particular requirements covering the installation and use of UL Certified products, equipment, system, devices, and materials.
- Authorities Having Jurisdiction should be consulted before construction.
- Fire resistance assemblies and products are developed by the design submitter and have been investigated by UL for compliance with applicable requirements. The published information cannot always address every construction nuance encountered in the field.
- When field issues arise, it is recommended the first contact for assistance be the technical service staff provided by the product manufacturer noted for the design. Users of fire resistance assemblies are advised to consult the general Guide Information for each product category and each group of assemblies. The Guide Information includes specifics concerning alternate materials and alternate methods of construction.
- Only products which bear UL's Mark are considered Certified.

Roof Deck Constructions

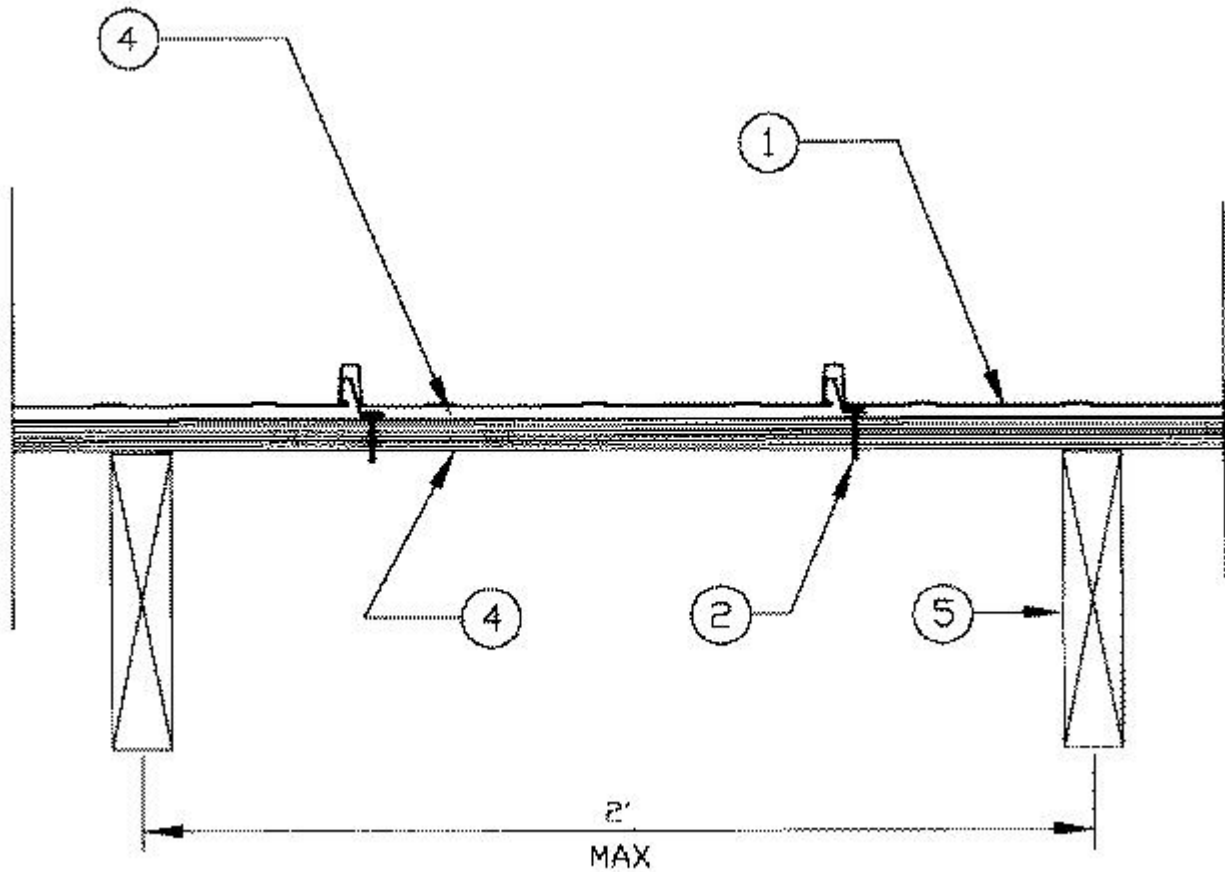
See General Information for Roof Deck Constructions

Construction No. 529

November 06, 2018

Uplift — Class 90

Fire Not Investigated



1. **Metal Roof Deck Panels*** — No. 29 MSG min coated steel. Max panel width 24 in. Rib height nominal 1 in. Panels continuous over two or more spans. A bead of sealant may be used at panel endlaps.
GREEN KNIGHT CONSTRUCTION (View Classification) — "Sure-Lock"

AMERICAN BUILDING COMPONENTS (View Classification) — "SL-16"

AUSTIN SNAP LOC SUPPLY (View Classification) — "ASL 100"

B & T METAL WORKS INC (View Classification) — "BT Snap Lock"

CENTRAL TEXAS METAL ROLLFORMING INC (View Classification) — "PRO-SNAP 100"

DAKOTA STEEL & TRIM INC (View Classification) — "Standing Seam"

DAVISS COUNTY METAL SALES INC (View Classification) — "Panel Lock"

DREXEL METALS INC (View Classification) — "DMC 100NS"

FABRAL INC (View Classification) — "Climaguard", "Horizon S" and "Horizon S-100".

GIDEON STEEL PANEL CO L L C (View Classification) — "G100s"

HPM BUILDING SUPPLY (View Classification) — "Tropic-Lock 1"

LONG CREEK STEEL (View Classification) — "Snap Lock"

MASTERPIECE METALS (View Classification) — "FF100"

MBCI (View Classification) — "Slimline"

MCELROY METAL MILL INC (View Classification) — "Meridian"

MENARDS/MIDWEST MFG (View Classification) — "Pro-Snap"

METALLION INDUSTRIES INC (View Classification) — "Loc Seam"

METAL PANELS INC (View Classification) — "SSFF1"

METAL SALES MANUFACTURING CORPORATION (View Classification) — "Image II"

NCI BUILDING SYSTEMS L P (View Classification) — "Slimline"

NU-RAY METALS (View Classification) — "NRM-5000"

SAN ANTONIO QUALITY METALS (View Classification) — "NS-100"

NEW TECH MACHINERY CORP (View Classification) — "FF100"

PREMIUM PANELS INC (View Classification) — "Premium Snap 100ns" or "P.S. 100ns"

REEDS METALS OF BENTON (View Classification) — "Perma-Lok"

SHEFFIELD METALS INTERNATIONAL (View Classification) — "CR-100-NS"

TAYLOR METAL INC, DBA TAYLOR METAL PRODUCTS (View Classification) — "EASY LOCK"

TSB INDUSTRIAL INC — "Texloc 12/16"

UNION CORRUGATING CO (View Classification) — "Advantage Lok"

WHIRLWIND STEEL BUILDINGS INC (View Classification) — "Weather-Guard"

ZIMMERMAN METALS INC (View Classification) — "FF-1000"

2. **Fasteners — (Screws)** — For panel attachment to wood deck (Item 3), fasteners to be No. 10 x 1 in. long No. 2 Phillips, Pancake Head Type A. Fasteners spacing to be 12 in. OC with fasteners installed through prepunched slots in fastener flange of panel. For attachment of plywood deck (Item 3) to joists (Item 5), fasteners to be min. No. 6 by 1-7/8 bugle head screw or annular ring-shank nails. Spacing to be 6 in. OC at plywood edges and 12 in. OC at intermediate supports. When light gauge structural steel joists are used, fasteners to be No. 12 by 1-5/8 in. long with a Phillips head.

3. **Substructure — (Plywood)** — Plywood decking to be a nom 5/8 in. thick, exposure sheathing span C-D, 40/20 plywood. All butt joints to be sealed against leakage by using tape and/or caulk or with one-part urethane sealant.

4. **Moisture Barrier** — (Optional) — Any suitable membrane to protect substructure (Item 3).

5. **Joists** — Joists spaced at 2 ft, 0 in. OC, may be one of the following:

A. Nom 2 by 6 in. wood joists No. 2 or better.

B. Nom 2 by 4 in. wood when used on a top cord of a wood truss, No. 2 or better.

C. Light gauge structural steel framing with the member against the plywood to be a min No. 22 MSG coated steel. Refer to General Information, Roof Deck Construction, (Roofing Materials and Systems Directory) for Items Not Evaluated.

*** Indicates such products shall bear the UL or cUL Certification Mark for jurisdictions employing the UL or cUL Certification (such as Canada), respectively.**

Last Updated on 2018-11-06

The appearance of a company's name or product in this database does not in itself assure that products so identified have been manufactured under UL's Follow-Up Service. Only those products bearing the UL Mark should be considered to be Certified and covered under UL's Follow-Up Service. Always look for the Mark on the product.

UL permits the reproduction of the material contained in the Online Certification Directory subject to the following conditions: 1. The Guide Information, Assemblies, Constructions, Designs, Systems, and/or Certifications (files) must be presented in their entirety and in a non-misleading manner, without any manipulation of the data (or drawings). 2. The statement "Reprinted from the Online Certifications Directory with permission from UL" must appear adjacent to the extracted material. In addition, the reprinted material must include a copyright notice in the following format: "© 2019 UL LLC"