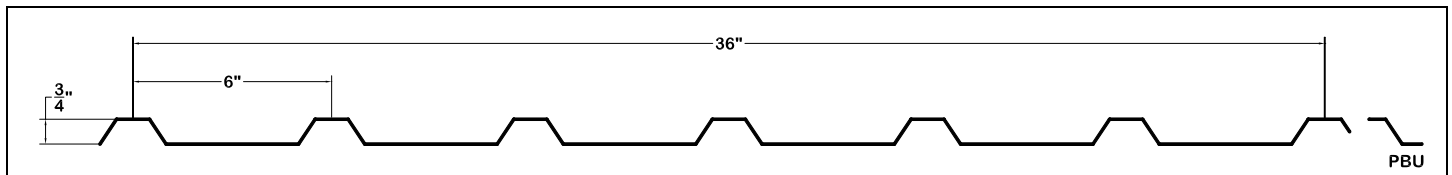


## Central Texas Metal Roofing Supply Co., Inc



GAUGE	PANEL	FINISH	NET COVERAGE	SHEET WIDTH	WEIGHT PER SQ.		
26	U	GALVALUME®	36"	38 1/4"	95.00		
26	PBU	GALVALUME®	36"	40 1/4"	95.00		
26	U	SMP	36"	38 1/4"	95.00		
26	PBU	SMP (NOTE 1)	36"	40 1/4"	95.00		
24	U	GALVALUME®	36"	38 1/4"	121.00		
24	PBU	GALVALUME®	36"	40 1/4"	121.00		
24	U	KYNAR500®	36"	38 1/4"	121.00		
24	PBU	KYNAR500®	36"	40 1/4"	121.00		
24	U	PREMIUM KYNAR500®	36"	38 1/4"	121.00		
24	PBU	PREMIUM KYNAR500®	36"	40 1/4"	121.00		

NOTE 1: White, Light Stone, Ash Gray and Tan. Inquire for other colors.

### PANEL PRICING:

1. Price per Square is based on 38 1/4" or 40 1/4" sheet width.
2. Add \$ 2.00 per each panel less than 3'-0".
3. Add \$ 40.00 set up charge for reverse run panels. (Color upside down).
4. Panels longer than 45' will have a 10% surcharge.

### PACKAGING PRICING:

1. Maximum weight of one bundle is 3,000 pounds or 75 panels.
2. Standard packaging - band with guard, top waster sheet \$10.00/bundle      \$20.00 over 16'
3. Block and band, top waster sheet \$15.00/bundle      \$25.00 over 16'
4. Block and band, top and bottom waster sheet \$25.00/bundle      \$40.00 over 16'
5. LTL Crating - block and band, top and bottom waster sheet \$5.00/linear foot, minimum charge \$40.00

Orders less than 5 panels will require block and band, top waster sheet

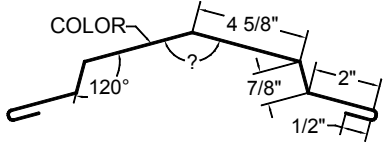
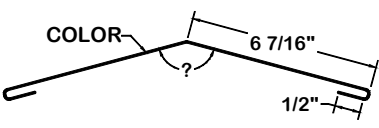
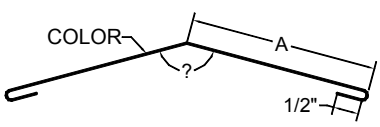
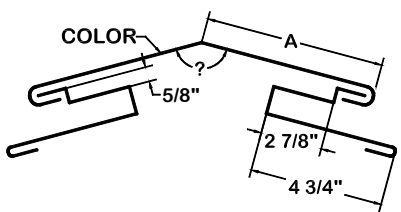
**Galvalume® and Acrylic Coated Galvalume® are unfinished products. Shade variations, color difference and a rate of weathering in unfinished product such as Galvalume® and Acrylic Coated Galvalume® should be anticipated and are not a cause for rejection. Use a pre-painted finish if uniform weathering and appearance is crucial.**

**Austin – Headquarters / Sales Office**  
 830 Sagebrush Dr Austin, Texas 78758  
 (512) 452-1515 (800) 428-7412  
 Fax (512) 833-7499

www.ctmrs.com  
 email: info@ctmrs.com

**Seguin – Plant / Sales Office**  
 720 West IH 10 Seguin, Texas 78155  
 (830) 379-3600 (877) 622-8677  
 Fax (830) 379-8753

## Central Texas Metal Roofing Supply Co., Inc

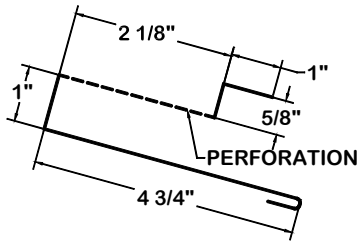

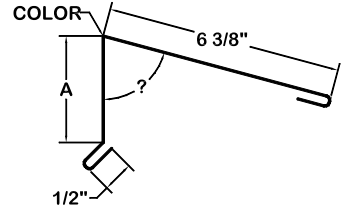
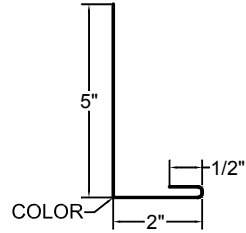
ITEM	DESCRIPTION						
	PART NUMBER	LENGTH	GIRTH	WEIGHT			
<b>UNIVERSAL RIDGE CAP</b> 	T100/10	10'-0"	16"	11.41			
	T100/20	20'-2"	16"	23.01			
SPECIFY ANGLE OR ROOF SLOPE							
<b>HIP / RIDGE CAP</b> 	T101/10	10'-0"	13 7/8"	9.89			
	T101/20	20'-2"	13 7/8"	19.95			
SPECIFY ANGLE OR ROOF SLOPE							
<b>HIP / RIDGE CAP - EXTENDED</b> 	T102/10	10'-0"	16"	11.41			
	T102/20	20'-2"	16"	23.01			
	T103/10	10'-0"	24"	17.40			
	T103/20	20'-2"	24"	34.80			
T102 - A = 7 1/2" T103 - A = 11 1/2"							
SPECIFY ANGLE OR ROOF SLOPE							
<b>VENTED RIDGE CAP</b> 	T110/10	10'-0"	38"	27.10			
	VENTED AREA = 4.62SQ IN/LF DIM "A" DEPENDS ON THE ROOF SLOPE. SLOPE                      DIM "A" 1/4 /12 to 6 /12            6 7/16" 6 1/8 /12 to 9 /12        7 1/2" 9 1/8 /12 to 12/12        8 1/2"						
SPECIFY ANGLE OR ROOF SLOPE							
Kynar 500 ® Flashing – 24Ga Typ. Galvalume® and SMP Flashing – 26Ga Typ. Galvalume® = Acrylic Coated Galvalume Galvalume is a trademark of BIEC , Inc.							

**Austin – Headquarters / Sales Office**  
 830 Sagebrush Dr Austin, Texas 78758  
 (512) 452-1515 (800) 428-7412  
 Fax (512) 833-7499

www.ctmrs.com  
 email: info@ctmrs.com

**Seguin – Plant / Sales Office**  
 720 West IH 10 Seguin, Texas 78155  
 (830) 379-3600 (877) 622-8677  
 Fax (830) 379-8753

## Central Texas Metal Roofing Supply Co., Inc

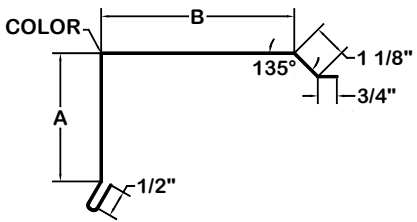
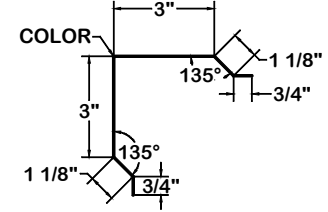
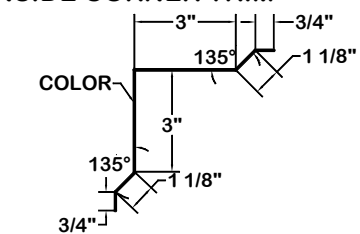
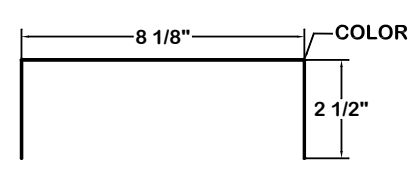
ITEM	DESCRIPTION						
	PART NUMBER	LENGTH	GIRTH	WEIGHT			
<b>VENTED SKIRT</b> 	T400/10	10'-0"	10"	8.21			
	VENTED AREA = 2.31 SQ IN/LF						
<b>VENTED RIDGE END CAP</b> 	T151/10	18"	N/A	.15			
	PRE NOTCHED FOR ADJUSTMENT TO ROOF SLOPE						
<b>PEAK FLASHING / HIGH SIDE EAVE</b>  <p>SPECIFY ANGLE OR ROOF SLOPE</p>	T152UP/10	10'-0"	10 1/8"	8.41			
	T152UP/20	20'-2"	10 1/8"	16.96			
	T153UP/10	10'-0"	12 7/8"	10.59			
	T153UP/20	20'-2"	12 7/8"	21.35			
	T152UP - A = 2 1/4"						
	T153UP - A = 5"						
<b>FASCIA TRIM</b> 	T154/10	10'-0"	7 1/2"	5.94			
	T154/20	20'-2"	7 1/2"	11.97			
	Kynar 500 ® Flashing – 24Ga Typ. Galvalume® and SMP Flashing – 26Ga Typ. Galvalume® = Acrylic Coated Galvalume Galvalume is a trademark of BIEC , Inc.						

**Austin – Headquarters / Sales Office**  
 830 Sagebrush Dr Austin, Texas 78758  
 (512) 452-1515 (800) 428-7412  
 Fax (512) 833-7499

www.ctmrs.com  
 email: info@ctmrs.com

**Seguin – Plant / Sales Office**  
 720 West IH 10 Seguin, Texas 78155  
 (830) 379-3600 (877) 622-8677  
 Fax (830) 379-8753

## Central Texas Metal Roofing Supply Co., Inc

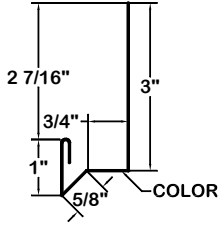
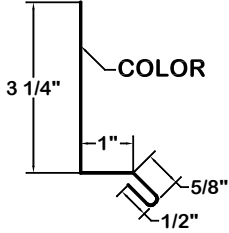
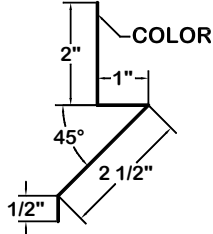
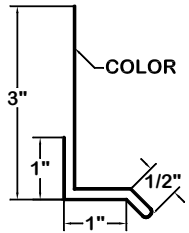
ITEM	DESCRIPTION				
<b>RAKE TRIM</b> 	PART NUMBER	LENGTH	GIRTH	WEIGHT	
	T155UP/10	10'-0"	10 7/8"	8.21	
	T155UP/20	20'-2"	10 7/8"	16.56	
	T156UP/10	10'-0"	12"	9.90	
	T156UP/20	20'-2"	12"	19.96	
	T155 - A = 2 3/4" B = 5 1/4" T156 - A = 5" B = 4 1/8"				
<b>OUTSIDE CORNER TRIM</b> 	PART NUMBER	LENGTH	GIRTH	WEIGHT	
	T157UP/10	10'-0"	12 5/8"	9.99	
	T157UP/20	20'-2"	12 5/8"	20.16	
<b>INSIDE CORNER TRIM</b> 	PART NUMBER	LENGTH	GIRTH	WEIGHT	
	T158UP/10	10'-0"	9 3/4"	7.72	
	T158UP/20	20'-2"	9 3/4"	15.57	
<b>JAMB / HEAD CAP</b> 	PART NUMBER	LENGTH	GIRTH	WEIGHT	
	T159/10	10'-0"	13 1/8"	10.60	
	T159/20	20'-2"	13 1/8"	21.50	
Kynar 500 ® Flashing – 24Ga Typ. Galvalume® and SMP Flashing – 26Ga Typ. Galvalume® = Acrylic Coated Galvalume Galvalume is a trademark of BIEC , Inc.					

**Austin – Headquarters / Sales Office**  
 830 Sagebrush Dr Austin, Texas 78758  
 (512) 452-1515 (800) 428-7412  
 Fax (512) 833-7499

www.ctmrs.com  
 email: info@ctmrs.com

**Seguin – Plant / Sales Office**  
 720 West IH 10 Seguin, Texas 78155  
 (830) 379-3600 (877) 622-8677  
 Fax (830) 379-8753

## Central Texas Metal Roofing Supply Co., Inc

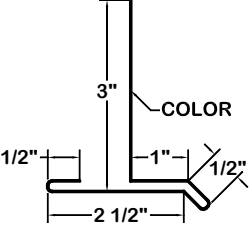
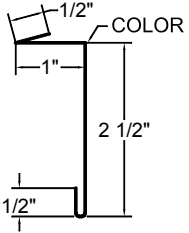
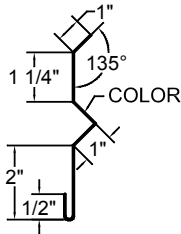

ITEM	DESCRIPTION						
	PART NUMBER	LENGTH	GIRTH	WEIGHT			
<b>HEAD TRIM</b> 	T167UP/10	10'-0"	5 7/8"	4.65			
<b>BASE TRIM – RECESSED</b> 	T160UP/10	10'-0"	5 3/8"	4.26			
	T160UP/20	20'-0"	5 3/8"	8.58			
<b>BASE TRIM – FLUSH</b> 	T161UP/10	10'-0"	6"	4.75			
	T161UP/20	20'-2"	6"	9.58			
<b>SILL / DRIP TRIM</b> 	T162UP/10	10'-0"	7"	4.75			
	T162UP/20	20'-2"	7"	9.58			
<p>Kynar 500® Flashing – 24Ga Typ.                      Galvalume® and SMP Flashing – 26Ga Typ.                      Galvalume® = Acrylic Coated Galvalume                      Galvalume is a trademark of BIEC, Inc.</p>							

**Austin – Headquarters / Sales Office**  
 830 Sagebrush Dr Austin, Texas 78758  
 (512) 452-1515 (800) 428-7412  
 Fax (512) 833-7499

www.ctmrs.com  
 email: info@ctmrs.com

**Seguin – Plant / Sales Office**  
 720 West IH 10 Seguin, Texas 78155  
 (830) 379-3600 (877) 622-8677  
 Fax (830) 379-8753

## Central Texas Metal Roofing Supply Co., Inc

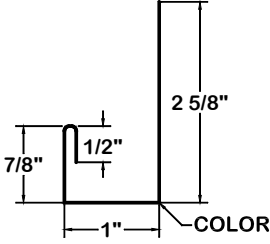
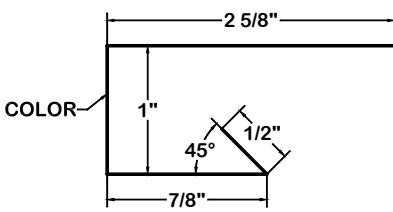
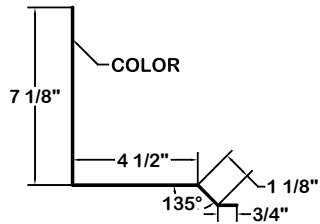
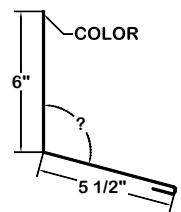
ITEM	DESCRIPTION						
	PART NUMBER	LENGTH	GIRTH	WEIGHT			
<b>SILL WITH SOFFIT</b> 	T320UP	10'-0"	8"	6.33			
<b>COUNTERFLASH</b>  SPECIFY ANGLE OR ROOF SLOPE	T321/10	10'-0"	4 1/2"	3.56			
	T321/20	20'-2"	4 1/2"	7.18			
<b>FLUSH MOUNT COUNTERFLASH</b>  SPECIFY ANGLE OR ROOF SLOPE	T322/10	10'-0"	6 3/4"	5.34			
<b>CONTINUOUS CLEAT</b> 	T20/10	10'-0"	2 1/2"	1.98			
Kynar 500 ® Flashing – 24Ga Typ. Galvalume® and SMP Flashing – 26Ga Typ. Galvalume® = Acrylic Coated Galvalume Galvalume is a trademark of BIEC , Inc.							

**Austin – Headquarters / Sales Office**  
 830 Sagebrush Dr Austin, Texas 78758  
 (512) 452-1515 (800) 428-7412  
 Fax (512) 833-7499

www.ctmrs.com  
 email: info@ctmrs.com

**Seguin – Plant / Sales Office**  
 720 West IH 10 Seguin, Texas 78155  
 (830) 379-3600 (877) 622-8677  
 Fax (830) 379-8753

## Central Texas Metal Roofing Supply Co., Inc

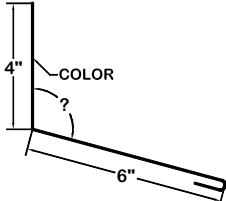
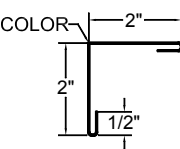
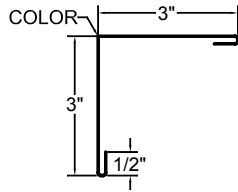
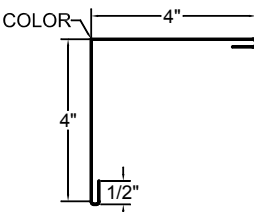
ITEM	DESCRIPTION						
	PART NUMBER	LENGTH	GIRTH	WEIGHT			
<b>HEAD TRIM / J CHANNEL</b> 	T165UP/10	10'-0"	5"	3.96			
	(Additional description for Head Trim / J Channel)						
<b>JAMB TRIM</b> 	T168UP/10	10'-0"	5"	3.51			
	(Additional description for Jamb Trim)						
<b>SIDEWALL / PARAPET RAKE TRIM</b> 	T169UP/10	10'-0"	13 1/2"	10.69			
	T169UP/20	20'-2"	13 1/2"	21.55			
SPECIFY ANGLE OR ROOF SLOPE							
<b>ENDWALL / PARAPET HIGH EAVE TRIM 6 X 5 1/2</b> 	T170/10	10'-0"	12"	9.50			
	T170/20	20'-2"	12"	19.16			
SPECIFY ANGLE OR ROOF SLOPE							
Kynar 500 ® Flashing – 24Ga Typ. Galvalume® and SMP Flashing – 26Ga Typ. Galvalume® = Acrylic Coated Galvalume Galvalume is a trademark of BIEC , Inc.							

**Austin – Headquarters / Sales Office**  
 830 Sagebrush Dr Austin, Texas 78758  
 (512) 452-1515 (800) 428-7412  
 Fax (512) 833-7499

www.ctmrs.com  
 email: info@ctmrs.com

**Seguin – Plant / Sales Office**  
 720 West IH 10 Seguin, Texas 78155  
 (830) 379-3600 (877) 622-8677  
 Fax (830) 379-8753

## Central Texas Metal Roofing Supply Co., Inc

ITEM	DESCRIPTION						
	PART NUMBER	LENGTH	GIRTH	WEIGHT			
<b>ENDWALL / PARAPET HIGH EAVE TRIM 4 X 6</b>  SPECIFY ANGLE OR ROOF SLOPE	T171/10	10'-0"	10 1/2"	8.31			
	T171/20	20'-2"	10 1/2"	16.76			
<b>2 X 2 OUTSIDE ANGLE</b> 	T180/10	10'-0"	5"	3.96			
	T180/20	20'-2"	5"	7.98			
<b>3 X 3 OUTSIDE ANGLE</b> 	T181/10	10'-0"	7"	5.54			
	T181/20	20'-2"	7"	11.18			
<b>4 X 4 OUTSIDE ANGLE</b> 	T182/10	10'-0"	9"	7.13			
	T182/20	20'-2"	9"	14.37			
Kynar 500 ® Flashing – 24Ga Typ. Galvalume® and SMP Flashing – 26Ga Typ. Galvalume® = Acrylic Coated Galvalume Galvalume is a trademark of BIEC , Inc.							

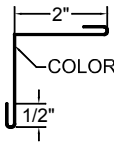
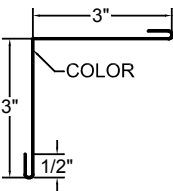
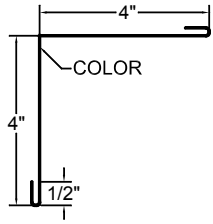
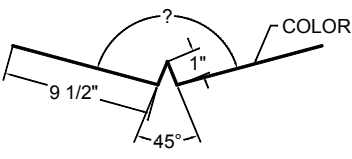
**Austin – Headquarters / Sales Office**  
 830 Sagebrush Dr Austin, Texas 78758  
 (512) 452-1515 (800) 428-7412  
 Fax (512) 833-7499

www.ctmrs.com  
 email: info@ctmrs.com

**Seguin – Plant / Sales Office**  
 720 West IH 10 Seguin, Texas 78155  
 (830) 379-3600 (877) 622-8677  
 Fax (830) 379-8753



## Central Texas Metal Roofing Supply Co., Inc

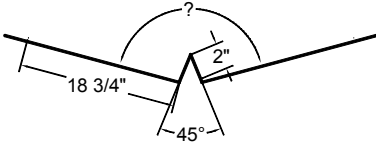
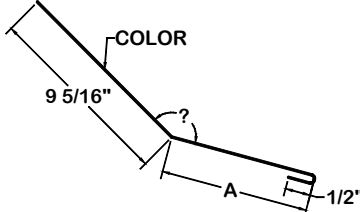
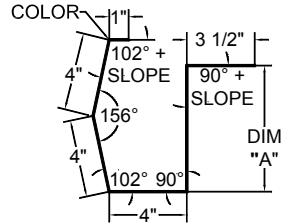
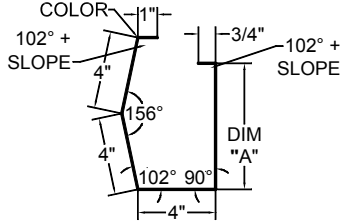
ITEM	DESCRIPTION						
	PART NUMBER	LENGTH	GIRTH	WEIGHT			
<b>2 X 2 INSIDE ANGLE</b>  	T183/10	10'-0"	5"	3.96			
	T183/20	20'-2"	5"	7.98			
<b>3 X 3 INSIDE ANGLE</b>  	T184/10	10'-0"	7"	5.54			
	T184/20	20'-2"	7"	11.18			
<b>4 X 4 INSIDE ANGLE</b>  	T185/10	10'-0"	9"	7.13			
	T185/20	20'-2"	9"	14.37			
<b>STANDARD VALLEY</b>  	T200/10	10'-0"	20 13/16"	16.63			
	T200/20	20'-2"	20 13/16"	33.53			
<b>SPECIFY ANGLE OR ROOF SLOPE</b>							
Kynar 500 ® Flashing – 24Ga Typ. Galvalume® and SMP Flashing – 26Ga Typ. Galvalume® = Acrylic Coated Galvalume Galvalume is a trademark of BIEC , Inc.							

**Austin – Headquarters / Sales Office**  
 830 Sagebrush Dr Austin, Texas 78758  
 (512) 452-1515 (800) 428-7412  
 Fax (512) 833-7499

www.ctmrs.com  
 email: info@ctmrs.com

**Seguin – Plant / Sales Office**  
 720 West IH 10 Seguin, Texas 78155  
 (830) 379-3600 (877) 622-8677  
 Fax (830) 379-8753

## Central Texas Metal Roofing Supply Co., Inc

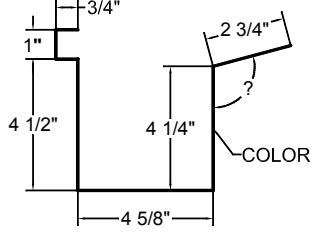
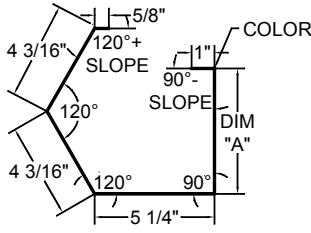
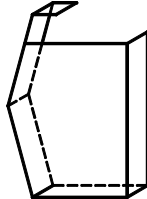
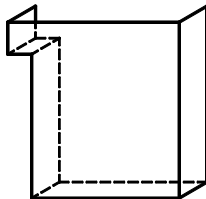
ITEM	DESCRIPTION						
	PART NUMBER	LENGTH	GIRTH	WEIGHT			
<b>EXTENDED VALLEY</b>    SPECIFY ANGLE OR ROOF SLOPE	T202/10	10'-0"	41 1/2"	32.85			
	<b>SLOPE TRANSITION / PITCH CHANGE</b>    SPECIFY ANGLE OR ROOF SLOPE						
<b>SCULPTURED EAVE FLANGE GUTTER</b>    SPECIFY ANGLE OR ROOF SLOPE	T190UP/10	10'-0"	23 1/2"	18.60			
	T190UP/20	20'-2"	23 1/2"	37.52			
<b>SCULPTURED GUTTER</b>    SPECIFY ANGLE OR ROOF SLOPE	T191UP/10	10'-0"	24"	19.00			
	T191UP/20	20'-2"	24"	38.32			
T190 - A = 7". Up to 4/12 Slope. T191 - A = 7 1/2". 4/12 to 6/12 Slope							
T195 - A = 7". Up to 4/12 Slope. T196 - A = 7 1/2". 4/12 to 6/12 Slope.							
Kynar 500 ® Flashing – 24Ga Typ. Galvalume® and SMP Flashing – 26Ga Typ. Galvalume® = Acrylic Coated Galvalume Galvalume is a trademark of BIEC , Inc.							

**Austin – Headquarters / Sales Office**  
 830 Sagebrush Dr Austin, Texas 78758  
 (512) 452-1515 (800) 428-7412  
 Fax (512) 833-7499

www.ctmrs.com  
 email: info@ctmrs.com

**Seguin – Plant / Sales Office**  
 720 West IH 10 Seguin, Texas 78155  
 (830) 379-3600 (877) 622-8677  
 Fax (830) 379-8753

## Central Texas Metal Roofing Supply Co., Inc

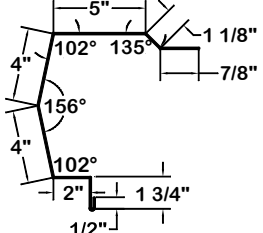
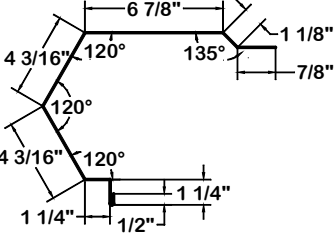
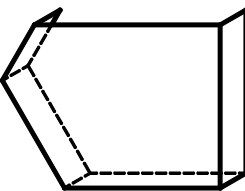
ITEM	DESCRIPTION						
	PART NUMBER	LENGTH	GIRTH	WEIGHT			
<b>BOX EAVE FLANGE GUTTER</b>  SPECIFY ANGLE OR ROOF SLOPE	T197UP/10	10'-0"	18 5/8"	14.15			
	T197UP/20	20'-2"	18 5/8"	28.54			
<b>STYLE TYPE GUTTER</b>  SPECIFY ANGLE OR ROOF SLOPE	T210UP/10	10'-0"	21 1/4"	16.43			
	T210UP/20	20'-2"	21 1/4"	33.13			
	T211UP/10    10'-0"    21 3/4"    16.82 T211UP/20    20'-2"    21 3/4"    33.93						
	T210 - A = 6". Up to 4/12 Slope. T211 - A = 6 1/2". 4/12 to 6/12 Slope.						
<b>GUTTER END - SCULPTURED OR STYLE TYPE GUTTER</b> 	PART NUMBER	LENGTH	GIRTH	WEIGHT			
	T198	N/A	N/A	0.39			
<b>GUTTER END - BOX GUTTER</b> 	PART NUMBER	LENGTH	GIRTH	WEIGHT			
	T199	N/A	N/A	0.20			
Kynar 500 ® Flashing - 24Ga Typ. Galvalume® and SMP Flashing - 26Ga Typ. Galvalume® = Acrylic Coated Galvalume Galvalume is a trademark of BIEC, Inc.							

**Austin - Headquarters / Sales Office**  
 830 Sagebrush Dr Austin, Texas 78758  
 (512) 452-1515 (800) 428-7412  
 Fax (512) 833-7499

www.ctmrs.com  
 email: info@ctmrs.com

**Seguin - Plant / Sales Office**  
 720 West IH 10 Seguin, Texas 78155  
 (830) 379-3600 (877) 622-8677  
 Fax (830) 379-8753

Central Texas Metal Roofing Supply Co., Inc

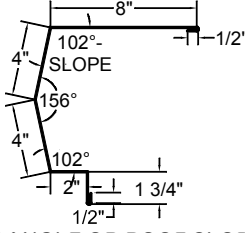
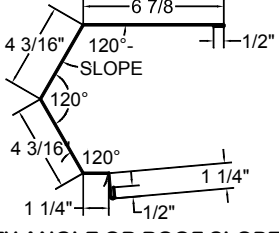
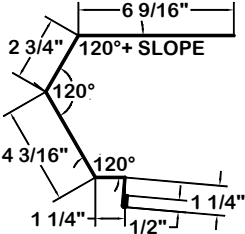
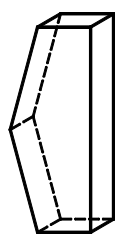
ITEM	DESCRIPTION						
	PART NUMBER	LENGTH	GIRTH	WEIGHT			
<b>SCULPTURED RAKE</b>  SPECIFY ANGLE OR ROOF SLOPE	T212UP/10	10'-0"	19 1/4"	16.03			
	T212UP/20	20'-2"	19 1/4"	32.33			
<b>STYLE TYPE RAKE</b>  SPECIFY ANGLE OR ROOF SLOPE	T220UP/10	10'-0"	20 1/4"	16.43			
	T220UP/20	20'-2"	20 1/4"	33.13			
<b>SCULPTURED RAKE PEAK BOX</b> SPECIFY ANGLE OR ROOF SLOPE	T215UP	N/A	N/A	3.00			
<b>STYLE TYPE RAKE PEAK BOX</b> SPECIFY ANGLE OR ROOF SLOPE	T216UP	N/A	N/A	3.00			
<b>STYLE TYPE RAKE END CAP</b> 	T218UP	N/A	N/A	7.49			
Kynar 500 ® Flashing – 24Ga Typ. Galvalume® and SMP Flashing – 26Ga Typ. Galvalume® = Acrylic Coated Galvalume Galvalume is a trademark of BIEC , Inc.							

**Austin – Headquarters / Sales Office**  
 830 Sagebrush Dr Austin, Texas 78758  
 (512) 452-1515 (800) 428-7412  
 Fax (512) 833-7499

www.ctmrs.com  
 email: info@ctmrs.com

**Seguin – Plant / Sales Office**  
 720 West IH 10 Seguin, Texas 78155  
 (830) 379-3600 (877) 622-8677  
 Fax (830) 379-8753

## Central Texas Metal Roofing Supply Co., Inc

ITEM	DESCRIPTION						
	PART NUMBER	LENGTH	GIRTH	WEIGHT			
<b>SCULPTURED HIGH SIDE EAVE</b>  SPECIFY ANGLE OR ROOF SLOPE	T222UP/10	10'-0"	20 3/4"	16.43			
	T222UP/20	20'-2"	20 3/4"	33.13			
<b>STYLE TYPE HIGH SIDE EAVE</b>  SPECIFY ANGLE OR ROOF SLOPE	T223UP/10	10'-0"	18 3/4"	14.84			
	T223UP/20	20'-2"	18 3/4"	29.93			
<b>STYLE TYPE LOW EAVE</b>  SPECIFY ANGLE OR ROOF SLOPE	T224UP/10	10'-0"	16 1/2"	13.06			
	T224UP/20	20'-2"	16 1/2"	26.34			
<b>SCULPTURED HIGH SIDE EAVE - END CAP</b> 	T225UP	N/A	N/A	0.75			

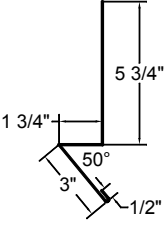
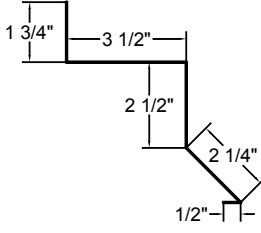
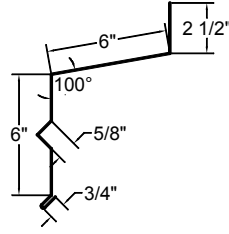
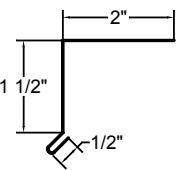
Kynar 500 ® Flashing – 24Ga Typ.  
 Galvalume® and SMP Flashing – 26Ga Typ.  
 Galvalume® = Acrylic Coated Galvalume  
 Galvalume is a trademark of BIEC , Inc.

**Austin – Headquarters / Sales Office**  
 830 Sagebrush Dr Austin, Texas 78758  
 (512) 452-1515 (800) 428-7412  
 Fax (512) 833-7499

www.ctmrs.com  
 email: info@ctmrs.com

**Seguin – Plant / Sales Office**  
 720 West IH 10 Seguin, Texas 78155  
 (830) 379-3600 (877) 622-8677  
 Fax (830) 379-8753

## Central Texas Metal Roofing Supply Co., Inc

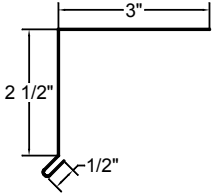
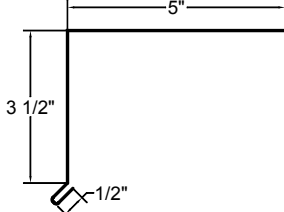
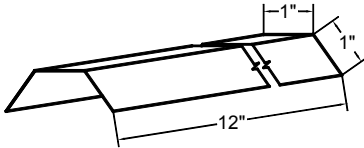
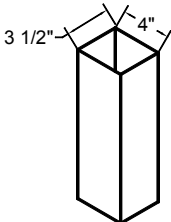
ITEM	DESCRIPTION						
	PART NUMBER	LENGTH	GIRTH	WEIGHT			
<b>MASONRY FLASHING</b> 	T226/10	10'-0"	11"	8.71			
	T226/20	20'-2"	11"	17.56			
<b>NATIONAL TRACK COVER</b> 	T227/10	10'-0"	10 1/2"	8.31			
	T227/20	14'-2"	10 1/2"	16.76			
<b>SLIDING DOOR HOOD</b> 	T228/10	10'-0"	16"	12.67			
	T228/142	14'-2"	16"	25.54			
<b>EAVE TRIM 2 X 2</b> 	T300/10	10'-0"	4 1/2"	3.56			
	T300/20	20'-2"	4 1/2"	7.18			
<b>SPECIFY ANGLE OR ROOF SLOPE</b>							
Kynar 500 ® Flashing – 24Ga Typ. Galvalume® and SMP Flashing – 26Ga Typ. Galvalume® = Acrylic Coated Galvalume Galvalume is a trademark of BIEC , Inc.							

**Austin – Headquarters / Sales Office**  
 830 Sagebrush Dr Austin, Texas 78758  
 (512) 452-1515 (800) 428-7412  
 Fax (512) 833-7499

www.ctmrs.com  
 email: info@ctmrs.com

**Seguin – Plant / Sales Office**  
 720 West IH 10 Seguin, Texas 78155  
 (830) 379-3600 (877) 622-8677  
 Fax (830) 379-8753

## Central Texas Metal Roofing Supply Co., Inc

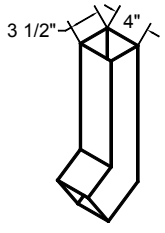
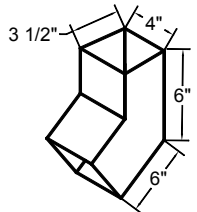
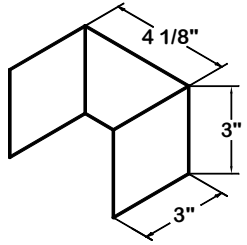
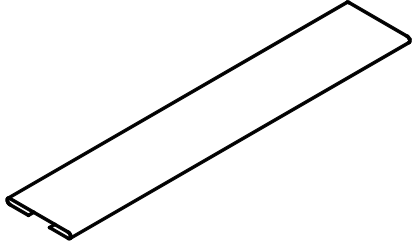
ITEM	DESCRIPTION						
	PART NUMBER	LENGTH	GIRTH	WEIGHT			
<b>EAVE TRIM 3 X 3</b>  SPECIFY ANGLE OR ROOF SLOPE	T301/10	10'-0"	6 1/2"	5.15			
	T301/20	20'-2"	6 1/2"	10.38			
<b>EAVE TRIM 4 X 5</b>  SPECIFY ANGLE OR ROOF SLOPE	T302/10	10'-0"	9 1/2"	7.52			
	T302/20	20'-2"	9 1/2"	15.17			
<b>GUTTER STRAP</b> 	T303/12	12"	3"	0.23			
	T303/10	10'-0"	3"	2.38			
<b>STRAIGHT DOWNSPOUT</b> 	T305/10	10'-0"	16 1/2"	11.88			
	T305/20	20'-2"	16 1/2"	23.95			
Kynar 500 ® Flashing – 24Ga Typ. Galvalume® and SMP Flashing – 26Ga Typ. Galvalume® = Acrylic Coated Galvalume Galvalume is a trademark of BIEC , Inc.							

**Austin – Headquarters / Sales Office**  
 830 Sagebrush Dr Austin, Texas 78758  
 (512) 452-1515 (800) 428-7412  
 Fax (512) 833-7499

www.ctmrs.com  
 email: info@ctmrs.com

**Seguin – Plant / Sales Office**  
 720 West IH 10 Seguin, Texas 78155  
 (830) 379-3600 (877) 622-8677  
 Fax (830) 379-8753

## Central Texas Metal Roofing Supply Co., Inc

ITEM	DESCRIPTION						
	PART NUMBER	LENGTH	GIRTH	WEIGHT			
<b>DOWNSPOUT WITH ELBOW</b> 	T306/10	10'-0"	16 1/2"	11.88			
	T306/20	20'-2"	16 1/2"	23.95			
<b>DOWNSPOUT ELBOW</b> 	T310/45	12"	16 1/2"	1.38			
	T310/90	12"	16 1/2"	1.38			
T310/45 = 45 DEGREE ELBOW T310/90 = 90 DEGREE ELBOW							
<b>DOWNSPOUT STRAP</b> 	T311	3	10 1/8"	0.20			
<b>UNIVERSAL STRAP</b> 	T21/10	10'-0"	3"	2.38			
Kynar 500 ® Flashing – 24Ga Typ. Galvalume® and SMP Flashing – 26Ga Typ. Galvalume® = Acrylic Coated Galvalume Galvalume is a trademark of BIEC , Inc.							

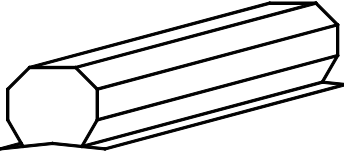
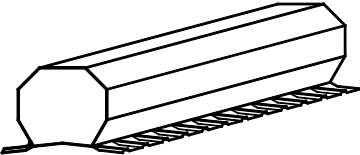
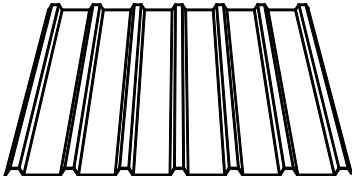
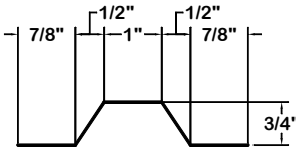
**Austin – Headquarters / Sales Office**  
 830 Sagebrush Dr Austin, Texas 78758  
 (512) 452-1515 (800) 428-7412  
 Fax (512) 833-7499

www.ctmrs.com  
 email: info@ctmrs.com

**Seguin – Plant / Sales Office**  
 720 West IH 10 Seguin, Texas 78155  
 (830) 379-3600 (877) 622-8677  
 Fax (830) 379-8753



## Central Texas Metal Roofing Supply Co., Inc


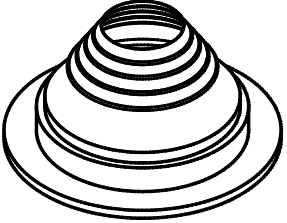
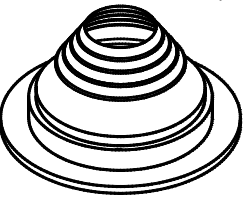
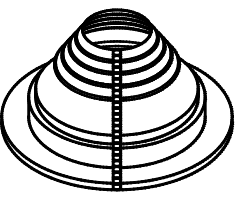
ITEM	DESCRIPTION					
<p><b>CONTINUOUS VENT</b></p>  <p>WITH BIRD SCREEN AND DAMPER</p>	PART NUMBER	SIZE	GAUGE	WEIGHT		
<p><b>CONTINUOUS VENT – DIE FORMED SKIRT</b></p>  <p>WITH BIRD SCREEN AND DAMPER</p>	PART NUMBER	SIZE	GAUGE	WEIGHT		
<p><b>LIGHT TRANSMITTING PANEL</b></p> 	PART NUMBER	TYPE	LENGTH	WEIGHT	COLOR	
<p><b>LIGHT TRANSMITTING PANEL TRIM</b></p> 	PART NUMBER	LENGTH	GIRTH	WEIGHT		
<p>Kynar 500 ® Flashing – 24Ga Typ. Galvalume® and SMP Flashing – 26Ga Typ. Galvalume® = Acrylic Coated Galvalume Galvalume is a trademark of BIEC , Inc.</p> <p style="text-align: right;">ADD 10% FOR METALLIC KYNAR500®</p>						

**Austin – Headquarters / Sales Office**  
830 Sagebrush Dr Austin, Texas 78758  
(512) 452-1515 (800) 428-7412  
Fax (512) 833-7499

www.ctmrs.com  
email: info@ctmrs.com

**Seguin – Plant / Sales Office**  
720 West IH 10 Seguin, Texas 78155  
(830) 379-3600 (877) 622-8677  
Fax (830) 379-8753

## Central Texas Metal Roofing Supply Co., Inc

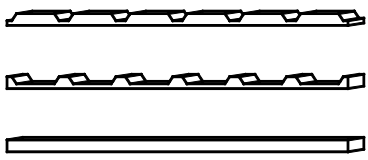
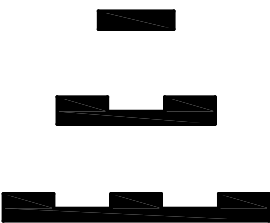
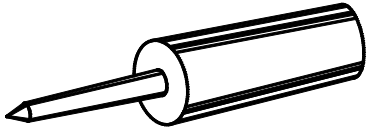
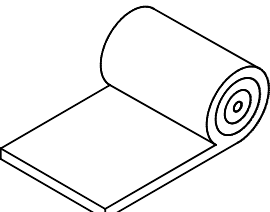
ITEM	DESCRIPTION				
<b>DIE FORMED RIDGE CAP</b>  	PART NUMBER	LENGTH	GIRTH	WEIGHT	
	DIEU	36"	36"	8.89	
<b>PIPE FLASHING – GRAY EPDM</b>  	PART NUMBER	PIPE SIZE RANGE	BASE DIMENSION		
	PFG000 PFG001 PFG002 PFG003 PFG004 PFG005 PFG007 PFG008 PFG009 PFG010	1/4" TO 1 1/8" 1/4" TO 2" 1 3/4" TO 4" 1/4" TO 4" 3" TO 6" 4" TO 7" 6" TO 11" 7" TO 13" 10" TO 18" 16" TO 24"	3 1/2" 4 3/4" 6 1/4" 7 3/4" 9 1/4" 10 3/4" 14 1/2" 16 1/2" 25 3/8" 39 1/2" x 35" sq.		
<b>PIPE FLASHING – RED SILICONE (HIGH TEMPERATURE)</b>  	PART NUMBER	PIPE SIZE RANGE	BASE DIMENSION		
	PFS003 PFS005 PFS008 PFS009	1/4" TO 4" 4" TO 7" 7" TO 13" 10" TO 18"	7 3/4" 10 3/4" 16 1/2" 25 3/8"		
<b>RETROFIT PIPE FLASHING – GRAY EPDM</b>  	PART NUMBER	PIPE SIZE RANGE	BASE DIMENSION		
	PFG801 PFG802 PFG803	3/4" TO 2 3/4" 2" TO 7 1/4" 3 1/4" TO 10"	6 1/4" 10 3/4" 14 1/2"		
Kynar 500® Flashing – 24Ga Typ. Galvalume® and SMP Flashing – 26Ga Typ. Galvalume® = Acrylic Coated Galvalume Galvalume is a trademark of BIEC, Inc.					

**Austin – Headquarters / Sales Office**  
 830 Sagebrush Dr Austin, Texas 78758  
 (512) 452-1515 (800) 428-7412  
 Fax (512) 833-7499

www.ctmrs.com  
 email: info@ctmrs.com

**Seguin – Plant / Sales Office**  
 720 West IH 10 Seguin, Texas 78155  
 (830) 379-3600 (877) 622-8677  
 Fax (830) 379-8753

## Central Texas Metal Roofing Supply Co., Inc

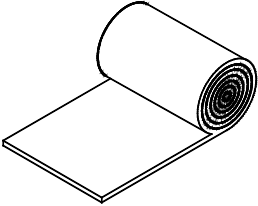
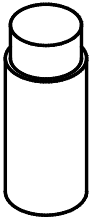
ITEM	DESCRIPTION							
<b>CLOSURE STRIP</b> 	PART NUMBER	SIZE	CARTON QUANTITY	CARTON WEIGHT				
	CGUPOUTSIDE OUTSIDE / TOP	36"	100 PCS	4.09				
	CGUPINSIDE INSIDE/BOTTOM	36"	100 PCS	8.32				
	CGHIP0875 UNIVERSAL	1" X 7/8" X 40"	100 PCS	9.27				
<b>BUTYL TAPE SEALER</b> 	PART NUMBER	SIZE	CARTON QUANTITY	CARTON WEIGHT				
	TAPEBUTYL0375	3/8" X 3/32" X 45'	24 ROLLS	45.20				
	TAPEBUTYL0875	7/8" X 3/16" X 25'	14 ROLLS	60.75				
	TAPE250	2 1/2" X 3/16" X 20'	6 ROLLS	23.00				
<b>CAULK SEALER - TUBE</b>  10 OZ TUBE	PART NUMBER	TYPE	COLOR	CARTON QUANTITY	CARTON WEIGHT			
	TCWM61111CLEAR	ACRYLIC	CLEAR	12	15			
	TCWM62611GRAY	POLYURETHANE	GRAY	12	15			
	TCWM61141BRONZE	POLYURETHANE	BRONZE	12	15			
	TCWM61611BEIGE	POLYURETHANE	BEIGE	12	15			
	TCWM61011WHITE	POLYURETHANE	WHITE	12	15			
<b>BATT INSULATION</b>  R-10 3" THICK VINYL BACKING	<b>FIBERGLASS BATT INSULATION WITH VINYL BACKING</b>							
	ALL BATT INSULATION IS SPECIAL ORDER, PLEASE ASK YOUR SALESPERSON FOR MORE DETAILS AND PRICING.							
Kynar 500 ® Flashing – 24Ga Typ. Galvalume® and SMP Flashing – 26Ga Typ. Galvalume® = Acrylic Coated Galvalume Galvalume is a trademark of BIEC , Inc.								

**Austin – Headquarters / Sales Office**  
 830 Sagebrush Dr Austin, Texas 78758  
 (512) 452-1515 (800) 428-7412  
 Fax (512) 833-7499

www.ctmrs.com  
 email: info@ctmrs.com

**Seguin – Plant / Sales Office**  
 720 West IH 10 Seguin, Texas  
 78155  
 (830) 379-3600 (877) 622-8677  
 Fax (830) 379-8753

## Central Texas Metal Roofing Supply Co., Inc

ITEM	DESCRIPTION				
<b>REFLECTIVE INSULATION</b>  <b>SINGLE BUBBLE FOIL BACKING</b>	<b>PART NUMBER</b>	<b>LENGTH</b>	<b>WIDTH</b>	<b>WEIGHT</b>	
	INSAAS48FOIL	125'-0"	4'-0"	50.00	
<b>TOUCHUP PAINT</b> 	<b>PART NUMBER</b>	<b>SIZE</b>	<b>TYPE</b>		
	PNTK2	2 OZ	KYNAR - BRUSH ON (BRUSH NOT INCLUDED)		
				SMP - BRUSH ON	
Kynar 500® Flashing – 24Ga Typ. Galvalume® and SMP Flashing – 26Ga Typ. Galvalume® = Acrylic Coated Galvalume Galvalume is a trademark of BIEC , Inc.					

**Austin – Headquarters / Sales Office**  
 830 Sagebrush Dr Austin, Texas 78758  
 (512) 452-1515 (800) 428-7412  
 Fax (512) 833-7499

www.ctmrs.com  
 email: info@ctmrs.com

**Seguin – Plant / Sales Office**  
 720 West IH 10 Seguin, Texas 78155  
 (830) 379-3600 (877) 622-8677  
 Fax (830) 379-8753

## Central Texas Metal Roofing Supply Co., Inc

### TRIM NOTES

1. All Galvalume® and SMP Painted standard trim is 26 gauge.
2. All Kynar 500® and Metallic Kynar 500® standard trim is 24 gauge.
3. 24 gauge Galvalume® trim is available - please request a quote.
4. All painted trim is fabricated with protective film to prevent scratches.  
If you prefer trim without plastic film, please indicate this at the time of order.  
Please request a quote for custom trim in length of 20'-02" up to 28'-0". Minimum order required.

### DELIVERY

- |  |  |
|--|--|
| 1. Stock colors (See Color Chart)      | Approximately 2 Working Days           |
| 2. Non stock colors, gauges and metals | Please Inquire with CTMRS sales staff. |

Galvalume® and Acrylic Coated Galvalume® are unfinished products.  
Shade variations, color difference and a rate of weathering in unfinished product such as Galvalume® and Acrylic Coated Galvalume® should be anticipated and are not a cause for rejection.  
Use a pre-painted finish if uniform weathering and appearance is crucial.

**Austin – Headquarters / Sales Office**  
830 Sagebrush Dr Austin, Texas 78758  
(512) 452-1515 (800) 428-7412  
Fax (512) 833-7499

www.ctmrs.com  
email: info@ctmrs.com

**Seguin – Plant / Sales Office**  
720 West IH 10 Seguin, Texas 78155  
(830) 379-3600 (877) 622-8677  
Fax (830) 379-8753