

Central Texas Metal Roofing Supply Co., Inc



GAUGE	NET COVERAGE	FINISH	WEIGHT PER SQUARE
26	11 3/4"	GALVALUME®	126 lb
26	16 1/4"	GALVALUME®	117 lb
26	19 3/4"	GALVALUME®	113 lb
26	16 1/4"	SMP – COLOR	117 lb
24	11 3/4"	GALVALUME®	131 lb
24	16 1/4"	GALVALUME®	126 lb
24	17 3/4"	GALVALUME®	124 lb
24	19 3/4"	GALVALUME®	122 lb
24	11 3/4"	KYNAR500®	136 lb
24	16 3/4"	KYNAR500®	126 lb
24	19 3/4"	KYNAR500®	122 lb
24	16 3/4"	PREMIUM KYNAR500®	126 lb
24	19 3/4"	PREMIUM KYNAR500®	122 lb
CALL FOR OTHER GAUGES, SIZES AND METALS			

PANEL PRICING:

- All panel pricing is based on net coverage.
- Pricing does not include fasteners.
- All pricing is based on 40'-00" maximum panel length. Call for handling & shipping charges on longer lengths.
- For lengths shorter than 2'-00" - add \$2.00 / panel.
- For all SMP orders less than 5 SQ please add \$50.00
- For all Kynar500® orders less than 10 SQ please add \$300.00
- Other gauges, colors and metals are available. Please inquire.

PACKAGING COST:

- Standard packaging is block and bandNo Charge (Panels will have strippable film at female leg,).
- LTL – plywood crating \$20.00 / SQ (\$200.00 – minimum charge)
- Standard crate size is 30 panels. Additional charge will apply for custom crating.

NOTES:

- Panels are produced as "STRIATED". If "NON-STRIATED" panels are required it must be specified in writing at the time of material order and Striation Waiver must be signed.
- Heavier gauges, narrower widths and striation may minimize oil canning.
- Remove all strippable film as soon as possible to prevent bonding to panel coating

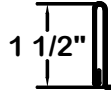
Galvalume® and Acrylic Coated Galvalume® is unfinished products. Shade variations, color difference and a rate of weathering in unfinished product such as Galvalume® and Acrylic Coated Galvalume® should be anticipated and are not a cause for rejection. Use a pre-painted finish if uniform weathering and appearance is crucial. Oil canning is inherent to roll formed products and might not be a reason for rejection.

Austin – Headquarters / Sales Office
 830 Sagebrush Dr Austin, Texas 78758
 (512) 452-1515 (800) 428-7412
 Fax (512) 833-7499

www.ctmrs.com
 email: info@ctmrs.com

Seguin – Plant / Sales Office
 720 West IH 10 Seguin, Texas 78155
 (830) 379-3600 (877) 622-8677
 Fax (830) 379-8753

Central Texas Metal Roofing Supply Co., Inc



GAUGE	NET COVERAGE	FINISH	WEIGHT PER SQUARE
26	11 3/4"	GALVALUME®	126 lb
26	16 1/4"	GALVALUME®	117 lb
26	19 3/4"	GALVALUME®	113 lb
26	16 1/4"	SMP – COLOR	117 lb
24	11 3/4"	GALVALUME®	131 lb
24	16 1/4"	GALVALUME®	126 lb
24	17 3/4"	GALVALUME®	124 lb
24	19 3/4"	GALVALUME®	122 lb
24	11 3/4"	KYNAR500®	136 lb
24	16 3/4"	KYNAR500®	126 lb
24	19 3/4"	KYNAR500®	122 lb
24	16 3/4"	PREMIUM KYNAR500®	126 lb
24	19 3/4"	PREMIUM KYNAR500®	122 lb
CALL FOR OTHER GAUGES, SIZES AND METALS			

PANEL PRICING:

1. All panel pricing is based on net coverage.
2. Pricing does not include clips and fasteners.
3. All pricing is based on 40'-00" maximum panel length. Call for handling & shipping charges on longer lengths.
4. For lengths shorter than 2'-00" - add \$2.00 / panel.
5. For all SMP orders less than 5 SQ please add \$50.00
6. For all Kynar500® orders less than 10 SQ please add \$300.00
7. Other gauges, colors and metals are available. Please inquire.

PACKAGING COST:

1. Standard packaging is block and bandNo Charge (Panels will have strippable film at female leg).
2. LTL – plywood crating \$20.00 / SQ (\$200.00 – minimum charge).
3. Standard crate size is 30 panels. Additional charge will apply for custom crating.

NOTES:

1. Panels are produced as "STRIATED". If "NON-STRIATED" panels are required it must be specified in writing at the time of material order and Striation Waiver must be signed.
2. Heavier gauges, narrower widths and striation may minimize oil canning.
3. Remove all strippable film as soon as possible to prevent bonding to panel coating.

Galvalume® and Acrylic Coated Galvalume® is unfinished products. Shade variations, color difference and a rate of weathering in unfinished product such as Galvalume® and Acrylic Coated Galvalume® should be anticipated and are not a cause for rejection. Use a pre-painted finish if uniform weathering and appearance is crucial. Oil canning is inherent to roll formed products and might not be a reason for rejection.

Austin – Headquarters / Sales Office
 830 Sagebrush Dr Austin, Texas 78758
 (512) 452-1515 (800) 428-7412
 Fax (512) 833-7499

www.ctmrs.com
 email: info@ctmrs.com

Seguin – Plant / Sales Office
 720 West IH 10 Seguin, Texas 78155
 (830) 379-3600 (877) 622-8677
 Fax (830) 379-8753

Central Texas Metal Roofing Supply Co., Inc



GAUGE	NET COVERAGE	FINISH	WEIGHT PER SQUARE
26	14 1/2"	GALVALUME®	131 lb
26	16"	GALVALUME®	127 lb
26	18"	GALVALUME®	124 lb
26	14 1/2"	SMP – COLOR	131 lb
24	14 1/2"	GALVALUME®	141 lb
24	16"	GALVALUME®	137 lb
24	18"	GALVALUME®	133 lb
24	15"	KYNAR500®	140 lb
24	18"	KYNAR500®	133 lb
24	15"	PREMIUM KYNAR500®	140 lb
24	18"	PREMIUM KYNAR500®	133 lb
24	16"	PAINT GRIP	137 lb
24	18"	PAINT GRIP	133 lb
CALL FOR OTHER GAUGES, SIZES, AND METALS			

PANEL PRICING:

- All panel pricing is based on net coverage.
- Pricing does not include clips and fasteners.
- All pricing is based on 40'-00" maximum panel length. Call for handling & shipping charges on longer lengths.
- For lengths shorter than 2'-00" - add \$2.00 / panel.
- For all SMP orders less than 5 SQ please add \$50.00
- For all Kynar500® orders less than 10 SQ please add \$300.00
- Panels are available with mastic in the side lap. Add \$5.00 / SQ if mastic will be required.
- Other gauges, colors, and metals are available. Please inquire.

PACKAGING COST:

- Standard packaging is block and bandNo Charge (Panels will have strippable film at female leg).
- LTL – plywood crating \$20.00 / SQ (\$200.00 – minimum charge).
- Standard crate size is 30 panels. Additional charge will apply for custom crating.

NOTES:

- Panels are produced as "STRIATED". If "NON-STRIATED" panels are required it must be specified in writing at the time of material order and Striation Waiver must be signed.
- Heavier gauges, narrower widths and striation may minimize oil canning.
- Remove all strippable film as soon as possible to prevent bonding to panel coating.

Galvalume® and Acrylic Coated Galvalume® is unfinished products. Shade variations, color difference and a rate of weathering in unfinished product such as Galvalume® and Acrylic Coated Galvalume® should be anticipated and are not a cause for rejection. Use a pre-painted finish if uniform weathering and appearance is crucial. Oil canning is inherent to roll formed products and might not be a reason for rejection.

Austin – Headquarters / Sales Office
 830 Sagebrush Dr Austin, Texas 78758
 (512) 452-1515 (800) 428-7412
 Fax (512) 833-7499

www.ctmrs.com
 email: info@ctmrs.com

Seguin – Plant / Sales Office
 720 West IH 10 Seguin, Texas 78155
 (830) 379-3600 (877) 622-8677
 Fax (830) 379-8753



GAUGE	NET COVERAGE	FINISH	WEIGHT PER SQUARE
26	13"	GALVALUME®	114 lb
26	17 1/2"	GALVALUME®	109 lb
26	19"	GALVALUME®	106 lb
26	21"	GALVALUME®	106 lb
26	17 1/2"	SMP - COLOR	109 lb
24	13"	GALVALUME®	123 lb
24	17 1/2"	GALVALUME®	117 lb
24	19"	GALVALUME®	116 lb
24	21"	GALVALUME®	116 lb
24	13"	KYNAR500®	123 lb
24	18"	KYNAR500®	117 lb
24	21"	KYNAR500®	116 lb
24	18"	PREMIUM KYNAR500®	123 lb
24	13"	PAINT GRIP	117 lb
24	17 1/2"	PAINT GRIP	116 lb
24	19"	PAINT GRIP	117 lb
24	21"	PAINT GRIP	116 lb
CALL FOR OTHER GAUGES, SIZES AND METALS		INQUIRE ABOUT CURVED SPANLOC 100	

PANEL PRICING:

1. All panel pricing is based on net coverage.
2. Pricing does not include clips and fasteners.
3. All pricing is based on 40'-00" maximum panel length. Call for handling & shipping charges on longer lengths.
4. For lengths shorter than 2'-00" - add \$2.00 / panel.
5. For all SMP orders less than 5 SQ please add \$50.00
6. For all Kynar500® orders less than 10 SQ please add \$300.00
7. Panels are available with mastic in the side lap. Add \$5.00 / SQ if mastic will be required.
8. Other gauges, colors, and metals are available. Please inquire.

PACKAGING COST:

1. Standard packaging is block and bandNo Charge (Panels will have strippable film at female leg).
2. LTL - plywood crating \$20.00 / SQ (\$200.00 - minimum charge).
3. Standard crate size is 30 panels. Additional charge will apply for custom crating.

NOTES:

1. Panels are produced as "STRIATED". If "NON-STRIATED" panels are required it must be specified in writing at the time of material order and Striation Waiver must be signed.
2. Heavier gauges, narrower widths and striation may minimize oil canning.
3. Remove all strippable film as soon as possible to prevent bonding to panel coating.

Galvalume® and Acrylic Coated Galvalume® is unfinished products. Shade variations, color difference and a rate of weathering in unfinished product such as Galvalume® and Acrylic Coated Galvalume® should be anticipated and are not a cause for rejection. Use a pre-painted finish if uniform weathering and appearance is crucial. Oil canning is inherent to roll formed products and might not be a reason for rejection.

Austin – Headquarters / Sales Office
 830 Sagebrush Dr Austin, Texas 78758
 (512) 452-1515 (800) 428-7412
 Fax (512) 833-7499

www.ctmrs.com
 email: info@ctmrs.com

Seguin – Plant / Sales Office
 720 West IH 10 Seguin, Texas 78155
 (830) 379-3600 (877) 622-8677
 Fax (830) 379-8753

Central Texas Metal Roofing Supply Co., Inc



GAUGE	NET COVERAGE	FINISH	WEIGHT PER SQUARE
26	12"	GALVALUME®	124 lb
26	16 1/2"	GALVALUME®	116 lb
26	20"	GALVALUME®	112 lb
26	16 1/2"	SMP – COLOR	116 lb
24	12"	GALVALUME®	133 lb
24	16 1/2"	GALVALUME®	129 lb
24	18"	GALVALUME®	122 lb
24	20"	GALVALUME®	120 lb
24	12"	KYNAR500®	133 lb
24	17"	KYNAR500®	124 lb
24	20"	KYNAR500®	120 lb
24	12"	PREMIUM KYNAR500®	133 lb
24	12"	PAINT GRIP	133 lb
24	16 1/2"	PAINT GRIP	129 lb
24	18"	PAINT GRIP	122 lb
24	20"	PAINT GRIP	120 lb
CALL FOR OTHER GAUGES, SIZES AND METALS		INQUIRE ABOUT CURVED SPANLOC 150	

PANEL PRICING:

1. All panel pricing is based on net coverage.
2. Pricing does not include clips and fasteners.
3. All pricing is based on 40'-00" maximum panel length. Call for handling & shipping charges on longer lengths.
4. For lengths shorter than 2'-00" - add \$2.00 / panel.
5. For all SMP orders less than 5 SQ please add \$50.00
6. For all Kynar500® orders less than 10 SQ please add \$300.00
7. Panels are available with mastic in the side lap. Add \$5.00 / SQ if mastic will be required.
8. Other gauges, colors and metals are available. Please inquire.

PACKAGING COST:

1. Standard packaging is block and bandNo Charge (Panels will have strippable film at female leg).
2. LTL – plywood crating \$20.00 / SQ (\$200.00 – minimum charge).
3. Standard crate size is 30 panels. Additional charge will apply for custom crating.

NOTES:

1. Panels are produced as "STRIATED". If "NON-STRIATED" panels are required it must be specified in writing at the time of material order and Striation Waiver must be signed.
2. Heavier gauges, narrower widths and striation may minimize oil canning.
3. Remove all strippable film as soon as possible to prevent bonding to panel coating.

Galvalume® and Acrylic Coated Galvalume® is unfinished products. Shade variations, color difference and a rate of weathering in unfinished product such as Galvalume® and Acrylic Coated Galvalume® should be anticipated and are not a cause for rejection. Use a pre-painted finish if uniform weathering and appearance is crucial. Oil canning is inherent to roll formed products and might not be a reason for rejection.

Austin – Headquarters / Sales Office
 830 Sagebrush Dr Austin, Texas 78758
 (512) 452-1515 (800) 428-7412
 Fax (512) 833-7499

www.ctmrs.com
 email: info@ctmrs.com

Seguin – Plant / Sales Office
 720 West IH 10 Seguin, Texas 78155
 (830) 379-3600 (877) 622-8677
 Fax (830) 379-8753



GAUGE	NET COVERAGE	FINISH	WEIGHT PER SQUARE
26	14 1/2"	GALVALUME®	131 lb
26	16"	GALVALUME®	127 lb
26	18"	GALVALUME®	124 lb
26	14 1/2"	SMP – COLOR	131 lb
24	14 1/2"	GALVALUME®	141 lb
24	16"	GALVALUME®	137 lb
24	18"	GALVALUME®	133 lb
24	15"	KYNAR500®	140 lb
24	18"	KYNAR500®	133 lb
24	15"	PREMIUM KYNAR500®	140 lb
24	18"	PREMIUM KYNAR500®	133 lb
24	16"	PAINT GRIP	137 lb
24	18"	PAINT GRIP	133 lb
CALL FOR OTHER GAUGES, SIZES, AND METALS			

PANEL PRICING:

1. All panel pricing is based on net coverage.
2. Pricing does not include clips and fasteners.
3. All pricing is based on 40'-00" maximum panel length. Call for handling & shipping charges on longer lengths.
4. For lengths shorter than 2'-00" - add \$2.00 / panel.
5. For all SMP orders less than 5 SQ please add \$50.00
6. For all Kynar500® orders less than 10 SQ please add \$300.00
7. Battens are available with mastic in the side lap. Add \$5.00 / SQ if mastic will be required.
8. Other gauges, colors, and metals are available. Please inquire.

PACKAGING COST:

1. Standard packaging is block and bandNo Charge (Panels will have strippable film at female leg).
2. LTL – plywood crating \$20.00 / SQ (\$200.00 – minimum charge).
3. Standard crate size is 30 panels. Additional charge will apply for custom crating.

NOTES:

1. Panels are produced as "STRIATED". If "NON-STRIATED" panels are required it must be specified in writing at the time of material order and Striation Waiver must be signed.
2. Heavier gauges, narrower widths and striation may minimize oil canning.
3. Remove all strippable film as soon as possible to prevent bonding to panel coating.

Galvalume® and Acrylic Coated Galvalume® is unfinished products. Shade variations, color difference and a rate of weathering in unfinished product such as Galvalume® and Acrylic Coated Galvalume® should be anticipated and are not a cause for rejection. Use a pre-painted finish if uniform weathering and appearance is crucial. Oil canning is inherent to roll formed products and might not be a reason for rejection.

Austin – Headquarters / Sales Office
 830 Sagebrush Dr Austin, Texas 78758
 (512) 452-1515 (800) 428-7412
 Fax (512) 833-7499

www.ctmrs.com
 email: info@ctmrs.com

Seguin – Plant / Sales Office
 720 West IH 10 Seguin, Texas 78155
 (830) 379-3600 (877) 622-8677
 Fax (830) 379-8753

Central Texas Metal Roofing Supply Co., Inc



GAUGE	NET COVERAGE	FINISH	WEIGHT PER SQUARE
26	12 1/4"	GALVALUME®	121 lb
26	14 3/4"	GALVALUME®	117 lb
26	16 1/4"	GALVALUME®	114 lb
24	12 1/4"	GALVALUME®	131 lb
24	14 1/4"	GALVALUME®	126 lb
24	16 1/4"	GALVALUME®	123 lb
24	12 1/4"	KYNAR500®	131 lb
24	14 1/4"	KYNAR500®	126 lb
24	16 1/4"	KYNAR500®	123 lb
24	12 1/4"	METALLIC KYNAR500®	131 lb
24	17 1/4"	METALLIC KYNAR500®	122 lb
CALL FOR OTHER GAUGES, SIZES AND METALS		INQUIRE ABOUT CURVED BATTLOC 058	

PANEL PRICING:

1. All panel pricing is based on net coverage.
2. Pricing includes panels and battens. Clips and fasteners are not included.
3. All pricing is based on 40'-00" maximum panel length. Call for handling & shipping charges on longer lengths.
4. For lengths shorter than 2'-00" - add \$2.00 / panel.
5. For all SMP orders less than 5 SQ please add \$50.00
6. For all Kynar500® orders less than 10 SQ please add \$300.00
7. Battens are available with mastic. Add \$5.00 / SQ if mastic will be required.
8. Other gauges, colors and metals are available. Please inquire.

PACKAGING COST:

1. Standard packaging is block and bandNo Charge
2. LTL - plywood crating \$20.00 / SQ (\$200.00 - minimum charge).
3. Standard crate size is 30 panels. Additional charge will apply for custom crating.

NOTES:

1. Panels are produced as "STRIATED". If "NON-STRIATED" panels are required it must be specified in writing at the time of material order and Striation Waiver must be signed.
2. Heavier gauges, narrower widths and striation may minimize oil canning.

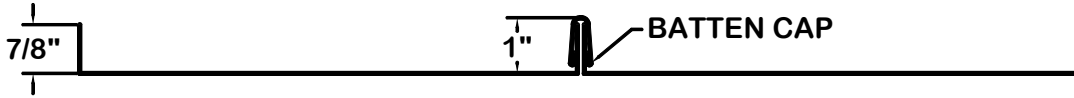
Galvalume® and Acrylic Coated Galvalume® are unfinished products. Shade variations, color difference and a rate of weathering in unfinished product such as Galvalume® and Acrylic Coated Galvalume® should be anticipated and are not a cause for rejection. Use a pre-painted finish if uniform weathering and appearance is crucial. Oil canning is inherent to roll formed products and might not be a reason for rejection.

Austin – Headquarters / Sales Office
 830 Sagebrush Dr Austin, Texas 78758
 (512) 452-1515 (800) 428-7412
 Fax (512) 833-7499

www.ctmrs.com
 email: info@ctmrs.com

Seguin – Plant / Sales Office
 720 West IH 10 Seguin, Texas 78155
 (830) 379-3600 (877) 622-8677
 Fax (830) 379-8753

Central Texas Metal Roofing Supply Co., Inc



GAUGE	NET COVERAGE	FINISH	WEIGHT PER SQUARE
26	11 3/4"	GALVALUME®	127 lb
26	16 1/4"	GALVALUME®	117 lb
26	19 3/4"	GALVALUME®	113 lb
26	16 1/4"	SMP – COLOR	117 lb
24	11 3/4" or 13 3/4"	GALVALUME®	131 lb
24	15 3/4" or 16 1/4"	GALVALUME®	126 lb
24	17 3/4"	GALVALUME®	124 lb
24	11 3/4"	KYNAR500®	136 lb
24	16 3/4"	KYNAR500®	125 lb
24	19 3/4"	KYNAR500®	122 lb
24	11 3/4"	PREMIUM KYNAR500®	136 lb
24	16 3/4"	PREMIUM KYNAR500®	125 lb
24	19 3/4"	PREMIUM KYNAR500®	122 lb
CALL FOR OTHER GAUGES, SIZES AND METALS		INQUIRE ABOUT CURVED BATTLOC 100	

PANEL PRICING:

1. All panel pricing is based on net coverage.
2. Pricing includes panels and battens. Clips and fasteners are not included.
3. All pricing is based on 40'-00" maximum panel length. Call for handling & shipping charges on longer lengths.
4. For lengths shorter than 2'-00" - add \$2.00 / panel.
5. For all SMP orders less than 5 SQ please add \$50.00
6. For all Kynar500® orders less than 10 SQ please add \$300.00
7. Battens are available with mastic. Add \$5.00 / SQ if mastic will be required.
8. Other gauges, colors and metals are available. Please inquire.

PACKAGING COST:

1. Standard packaging is block and bandNo Charge
2. LTL – plywood crating \$20.00 / SQ (\$200.00 – minimum charge).
3. Standard crate size is 30 panels. Additional charge will apply for custom crating.

NOTES:

1. Panels are produced as "STRIATED". If "NON-STRIATED" panels are required it must be specified in writing at the time of material order and Striation Waiver must be signed.
2. Heavier gauges, narrower widths and striation may minimize oil canning.

Galvalume® and Acrylic Coated Galvalume® are unfinished products. Shade variations, color difference and a rate of weathering in unfinished product such as Galvalume® and Acrylic Coated Galvalume® should be anticipated and are not a cause for rejection. Use a pre-painted finish if uniform weathering and appearance is crucial. Oil canning is inherent to roll formed products and might not be a reason for rejection.

Austin – Headquarters / Sales Office
 830 Sagebrush Dr Austin, Texas 78758
 (512) 452-1515 (800) 428-7412
 Fax (512) 833-7499

www.ctmrs.com
 email: info@ctmrs.com

Seguin – Plant / Sales Office
 720 West IH 10 Seguin, Texas 78155
 (830) 379-3600 (877) 622-8677
 Fax (830) 379-8753

Central Texas Metal Roofing Supply Co., Inc



GAUGE	NET COVERAGE	FINISH	WEIGHT PER SQUARE
26	12"	GALVALUME®	126 lb
26	16 ¼"	GALVALUME®	117 lb
26	16 ¼"	SMP – COLOR	117 lb
24	12"	GALVALUME®	136 lb
24	16 ¾"	GALVALUME®	126 lb
24	17 ¾"	GALVALUME®	124 lb
24	12"	KYNAR500®	136 lb
24	16 ¾"	KYNAR500®	126 lb
24	12"	PREMIUM KYNAR500®	136 lb
24	16 ¾"	PREMIUM KYNAR500®	126 lb

PANEL PRICING:

1. All panel pricing is based on net coverage.
2. All pricing is based on 20'-00" maximum panel length. Call for handling & shipping charges on longer lengths.
3. For lengths shorter than 2'-00" - add \$2.00 / panel.
4. For all SMP orders less than 5 SQ please add \$50.00
5. For all Kynar500® orders less than 10 SQ please add \$300.00
6. Other gauges, colors and metals are available. Please inquire.
7. **24 gauge panels are available perforated. Add \$ 25.00 / SQ for perforations.**

PACKAGING COST:

1. Standard packaging is block and band No Charge (Panels will have strippable film at female leg).
2. LTL – plywood crating \$20.00 / SQ (\$200.00 – minimum charge).
3. Standard crate size is 30 panels. Additional charge will apply for custom crating.

NOTES:

1. Heavier gauges, narrower widths and striation may minimize oil canning.
2. Remove all strippable film as soon as possible to prevent bonding to panel coating.
3. Recommended panels over 36" stitch screw together every 12". Over tightening stitch screws may induce oil canning.
4. Long lengths, over 10'-0", have an increased chance of oil canning.

Galvalume® and Acrylic Coated Galvalume® are unfinished products. Shade variations, color difference and a rate of weathering in unfinished product such as Galvalume® and Acrylic Coated Galvalume® should be anticipated and are not a cause for rejection. Use a pre-painted finish if uniform weathering and appearance is crucial. Oil canning is inherent to roll formed products and might not be a reason for rejection.

Austin – Headquarters / Sales Office
 830 Sagebrush Dr Austin, Texas 78758
 (512) 452-1515 (800) 428-7412
 Fax (512) 833-7499

www.ctmrs.com
 email: info@ctmrs.com

Seguin – Plant / Sales Office
 720 West IH 10 Seguin, Texas 78155
 (830) 379-3600 (877) 622-8677
 Fax (830) 379-8753



GAUGE	NET COVERAGE	FINISH	WEIGHT PER SQUARE
26	12"	GALVALUME®	101 lb
26	12"	SMP – COLOR	101 lb
PERFORATED			
26	12"	GALVALUME®	101 lb
26	12"	SMP - COLOR	101 lb

PANEL PRICING:

1. All panel pricing is based on net coverage.
2. All pricing is based on 20'-00" maximum panel length. Call for handling & shipping charges on longer lengths.
3. For lengths shorter than 2'-00" - add \$2.00 / panel.
4. For all SMP orders less than 5 SQ please add \$50.00
5. Other gauges, colors and metals are available. Please inquire.

PACKAGING COST:

1. Standard packaging is block and band..... No Charge (Non perforated Panels will have strippable film).
2. LTL – plywood crating \$20.00 / SQ (\$200.00 – minimum charge)

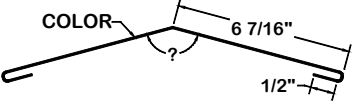
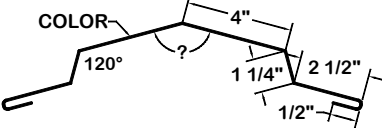
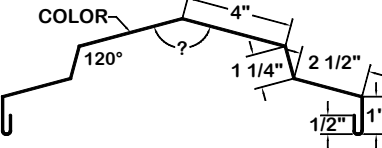
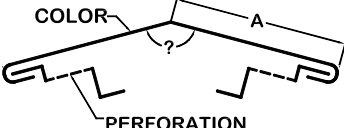
* Remove all strippable film as soon as possible to prevent bonding to panel coating.

Galvalume® and Acrylic Coated Galvalume® are unfinished products. Shade variations, color difference and a rate of weathering in unfinished product such as Galvalume® and Acrylic Coated Galvalume® should be anticipated and are not a cause for rejection. Use a pre-painted finish if uniform weathering and appearance is crucial. Oil canning is inherent to roll formed products and might not be a reason for rejection.

Austin – Headquarters / Sales Office
 830 Sagebrush Dr Austin, Texas 78758
 (512) 452-1515 (800) 428-7412
 Fax (512) 833-7499

www.ctmrs.com
 email: info@ctmrs.com

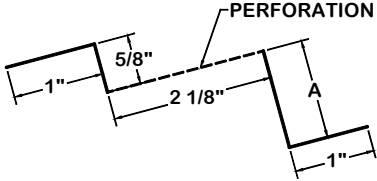

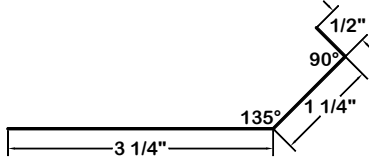
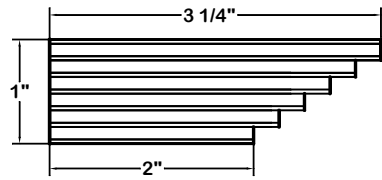
Seguin – Plant / Sales Office
 720 West IH 10 Seguin, Texas 78155
 (830) 379-3600 (877) 622-8677
 Fax (830) 379-8753

ITEM	DESCRIPTION				
<p>HIP / RIDGE CAP</p>  <p>COLOR</p> <p>6 7/16"</p> <p>1/2"</p> <p>SPECIFY ANGLE OR ROOF SLOPE</p>	PART NUMBER	LENGTH	GIRTH	WEIGHT	
	T101/10	10'-0"	13 7/8"	9.89	
	T101/20	20'-2"	13 7/8"	19.95	
<p>FLOATING HIP / RIDGE CAP</p>  <p>COLOR</p> <p>120°</p> <p>4"</p> <p>1 1/4"</p> <p>2 1/2"</p> <p>1/2"</p> <p>SPECIFY ANGLE OR ROOF SLOPE</p>	PART NUMBER	LENGTH	GIRTH	WEIGHT	
	T105/10	10'-0"	16 1/2"	13.06	
	T105/20	20'-2"	16 1/2"	26.34	
<p>VENTED RIDGE CAP</p>  <p>COLOR</p> <p>120°</p> <p>4"</p> <p>1 1/4"</p> <p>2 1/2"</p> <p>1/2"</p> <p>1"</p> <p>SPECIFY ANGLE OR ROOF SLOPE</p>	PART NUMBER	LENGTH	GIRTH	WEIGHT	
	T106/10	10'-0"	18 1/2"	14.65	
	T106/20	20'-2"	18 1/2"	29.54	
<p>VENTED RIDGE CAP</p>  <p>COLOR</p> <p>A</p> <p>PERFORATION</p> <p>SPECIFY ANGLE OR ROOF SLOPE</p>	PART NUMBER	LENGTH	GIRTH	WEIGHT	
	T111/10	10'-0"	26 1/8"	20.68	
	<p>VENTED AREA = 4.62SQ IN/LF DIM "A" DEPENDS ON THE ROOF SLOPE.</p> <p>1/12 to 6/12.....A= 7 1/2"</p> <p>7/12 to 10/12.....A= 8 1/2"</p> <p>11/12 to 12/12...A= 9"</p>				
<p>Kynar 500 ® Flashing – 24Ga Typ. Galvalume® and SMP Flashing – 26Ga Typ. Galvalume® = Acrylic Coated Galvalume Galvalume is a trademark of BIEC, Inc.</p>					

Austin – Headquarters / Sales Office
830 Sagebrush Dr Austin, Texas 78758
(512) 452-1515 (800) 428-7412
Fax (512) 833-7499

www.ctmrs.com
email: info@ctmrs.com

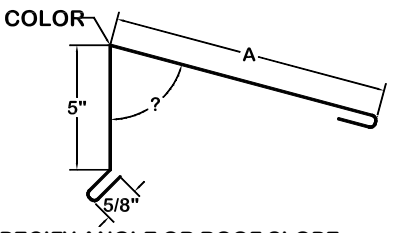
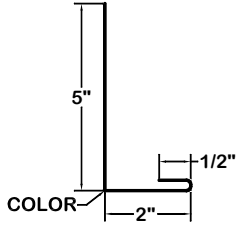
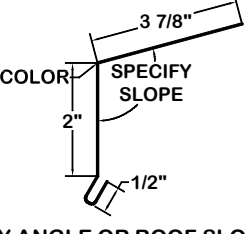
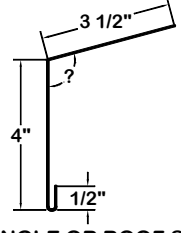
Seguin – Plant / Sales Office
720 West IH 10 Seguin, Texas 78155
(830) 379-3600 (877) 622-8677
Fax (830) 379-8753

ITEM	DESCRIPTION						
VENTED ZEE CLOSURE  <p>SPECIFY ANGLE OR ROOF SLOPE</p>	PART NUMBER	DIM A	LENGTH	GIRTH	WEIGHT		
	T401A/10 T401B/10 T401C/10 T401D/10 T401E/10	5/8" 1" 1 1/2" 1 3/4" 2"	10'-0" 10'-0" 10'-0" 10'-0" 10'-0"	5 3/8" 5 3/4" 6 1/4" 6 1/2" 6 3/4"	4.35 4.65 5.05 5.24 6.23		
VENTED RIDGE END CAP  <p>SPECIFY PANEL</p>	PART NUMBER	LENGTH	GIRTH	WEIGHT			
	T150	18"	N/A	.15			
VENT DRIP 	PART NUMBER	LENGTH	GIRTH	WEIGHT			
	T112/10 T112/20	10'-0" 20'-2"	5" 5"	3.96 7.98			
VENTED INSERT 	PART NUMBER	LENGTH	BOX QTY	BOX WT			
	T113	4'-0"	24	30.00			
<p>Kynar 500 ® Flashing – 24Ga Typ. Galvalume® and SMP Flashing – 26Ga Typ. Galvalume® = Acrylic Coated Galvalume Galvalume is a trademark of BIEC, Inc.</p>							

Austin – Headquarters / Sales Office
830 Sagebrush Dr Austin, Texas 78758
(512) 452-1515 (800) 428-7412
Fax (512) 833-7499

www.ctmrs.com
email: info@ctmrs.com

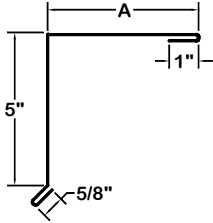
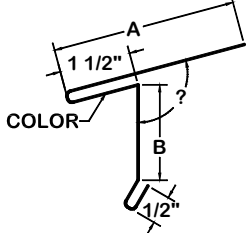
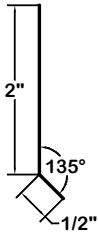
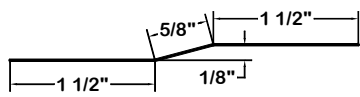
Seguin – Plant / Sales Office
720 West IH 10 Seguin, Texas 78155
(830) 379-3600 (877) 622-8677
Fax (830) 379-8753

ITEM	DESCRIPTION					
<p>PEAK FLASHING / HIGH SIDE EAVE</p>  <p>COLOR</p> <p>5"</p> <p>5/8"</p> <p>A</p> <p>SPECIFY ANGLE OR ROOF SLOPE</p>	PART NUMBER	DIM A	LENGTH	GIRTH	WEIGHT	
	T152/10	6"	10'-0"	12 3/4"	10.09	
	T152/20	6"	20'-2"	12 3/4"	20.36	
	T153/10	10 1/4"	10'-0"	17"	13.46	
	T153/20	10 1/4"	20'-2"	17"	27.14	
<p>FASCIA TRIM</p>  <p>5"</p> <p>1/2"</p> <p>2"</p> <p>COLOR</p> <p>SPECIFY ANGLE OR ROOF SLOPE</p>	PART NUMBER	LENGTH	GIRTH	WEIGHT		
	T154/10	10'-0"	7 1/2"	7.40		
	T154/20	20'-2"	7 1/2"	14.92		
<p>BOX EAVE TRIM</p>  <p>3 7/8"</p> <p>2"</p> <p>1/2"</p> <p>COLOR</p> <p>SPECIFY SLOPE</p> <p>SPECIFY ANGLE OR ROOF SLOPE</p>	PART NUMBER	LENGTH	GIRTH	WEIGHT		
	T500/10	10'-0"	6 7/8"	5.44		
	T500/20	20'-2"	6 7/8"	10.89		
<p>BOX CAP TRIM</p>  <p>3 1/2"</p> <p>4"</p> <p>1/2"</p> <p>COLOR</p> <p>SPECIFY ANGLE OR ROOF SLOPE</p>	PART NUMBER	LENGTH	GIRTH	WEIGHT		
	T501/10	10'-0"	8"	6.33		
	T501/20	20'-2"	8"	12.77		
<p>Kynar 500 © Flashing – 24Ga Typ. Galvalume® and SMP Flashing – 26Ga Typ. Galvalume® = Acrylic Coated Galvalume Galvalume is a trademark of BIEC, Inc.</p>						

Austin – Headquarters / Sales Office
830 Sagebrush Dr Austin, Texas 78758
(512) 452-1515 (800) 428-7412
Fax (512) 833-7499

www.ctmrs.com
email: info@ctmrs.com

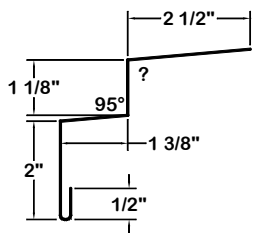
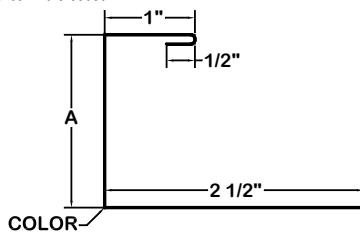
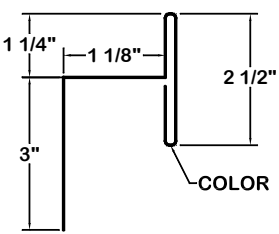
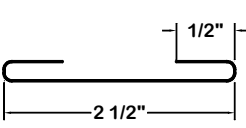
Seguin – Plant / Sales Office
720 West IH 10 Seguin, Texas 78155
(830) 379-3600 (877) 622-8677
Fax (830) 379-8753

ITEM	DESCRIPTION					
RAKE TRIM 	PART NUMBER	DIM A	LENGTH	GIRTH	WEIGHT	
	T502	4"	10'-0"	11 1/4"	8.91	
	T502	4"	20'-2"	11 1/4"	17.96	
	T503	5"	10'-0"	12 1/4"	9.70	
	T503	5"	20'-2"	12 1/4"	19.56	
EXTENDED EAVE / RAKE  <p>SPECIFY ANGLE OR ROOF SLOPE</p>	PART NUMBER	LENGTH	GIRTH	WEIGHT		
	T504/10	10'-0"	8 3/8"	6.63		
	T504B/10	10'-0"	8 3/8"	6.63		
	T504 - DIM "A" = 3 7/8", DIM "B" = 2"	T504B - DIM "A" = 4 3/8", DIM "B" = 1 1/2"				
CONTINUOUS CLEAT 	PART NUMBER	LENGTH	GIRTH	WEIGHT		
	T20/10	10'-0"	2 1/2"	1.98		
OFFSET CLEAT 	PART NUMBER	LENGTH	GIRTH	WEIGHT		
	T10/10	10'-0"	3 5/8"	2.68		
<p>Kynar 500 © Flashing – 24Ga Typ. Galvalume® and SMP Flashing – 26Ga Typ. Galvalume® = Acrylic Coated Galvalume Galvalume is a trademark of BIEC, Inc.</p>						

Austin – Headquarters / Sales Office
830 Sagebrush Dr Austin, Texas 78758
(512) 452-1515 (800) 428-7412
Fax (512) 833-7499

www.ctmrs.com
email: info@ctmrs.com

Seguin – Plant / Sales Office
720 West IH 10 Seguin, Texas 78155
(830) 379-3600 (877) 622-8677
Fax (830) 379-8753

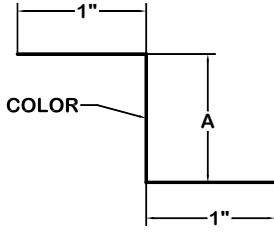
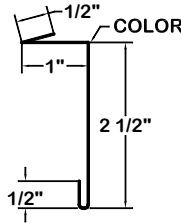
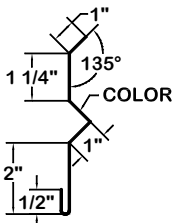
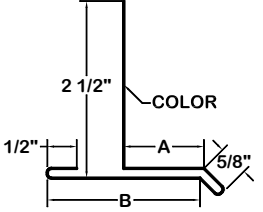
ITEM	DESCRIPTION						
	PART NUMBER	LENGTH	GIRTH	WEIGHT			
OFFSET PANEL CAP TRIM 	T505/10	10'-0"	7 1/2"	5.94			
	T505/20	20'-2"	7 1/2"	11.97			
SPECIFY ANGLE OR ROOF SLOPE CAP TRIM 	T506/10	10'-0"	5 1/8"	4.06			
	T506/20	20'-2"	5 1/8"	8.18			
	T507/10	10'-0"	5 5/8"	4.45			
	T507/20	20'-2"	5 5/8"	8.98			
	T508/10	10'-0"	5 7/8"	4.65			
	T508/20	20'-2"	5 7/8"	9.38			
	T509/10	10'-0"	6 1/8"	4.85			
	T509/20	20'-2"	6 1/8"	9.78			
SPLICE TRIM 	T510/10	10'-0"	9 1/8"	7.22			
	T510/20	20'-2"	9 1/8"	14.57			
ALTERNATE SPLICE TRIM 	T511/10	10'-0"	3 1/2"	2.77			

Kynar 500 ® Flashing – 24Ga Typ.
Galvalume® and SMP Flashing – 26Ga Typ.
Galvalume® = Acrylic Coated Galvalume
Galvalume is a trademark of BIEC, Inc.

Austin – Headquarters / Sales Office
830 Sagebrush Dr Austin, Texas 78758
(512) 452-1515 (800) 428-7412
Fax (512) 833-7499

www.ctmrs.com
email: info@ctmrs.com

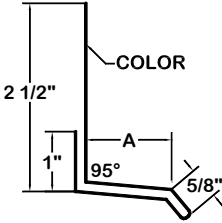
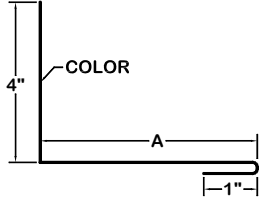
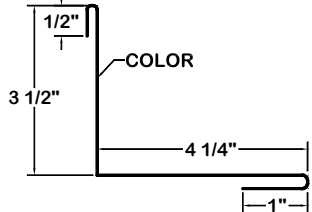
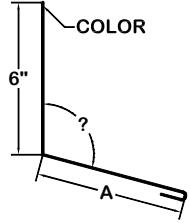
Seguin – Plant / Sales Office
720 West IH 10 Seguin, Texas 78155
(830) 379-3600 (877) 622-8677
Fax (830) 379-8753

ITEM	DESCRIPTION							
	PART NUMBER	DIM A	LENGTH	GIRTH	WEIGHT			
ZEE CLOSURE 	T512/10	3/4"	10'-0"	2 3/4"	2.08			
	T513/10	1 1/8"	10'-0"	3 1/8"	2.38			
	T514/10	1 5/8"	10'-0"	3 5/8"	2.77			
	T515/10	1 7/8"	10'-0"	3 7/8"	2.97			
	T516/10	2 1/8"	10'-0"	4 1/8"	3.17			
COUNTERFLASH 	T321/10		10'-0"	4 1/2"	3.56			
FLUSH MOUNT COUNTERFLASH 	T322/10		10'-0"	6 3/4"	5.34			
SILL WITH SOFFIT 	T517	3/4"	10'-0"	7 1/2"	5.94			
	T518	1 1/2"	10'-0"	9"	7.13			
	T519	2 1/4"	10'-0"	10 1/2"	8.31			
	DIM B = DIM A + 2 1/2"							
Kynar 500 ® Flashing – 24Ga Typ. Galvalume® and SMP Flashing – 26Ga Typ. Galvalume® = Acrylic Coated Galvalume Galvalume is a trademark of BIEC, Inc.								

Austin – Headquarters / Sales Office
 830 Sagebrush Dr Austin, Texas 78758
 (512) 452-1515 (800) 428-7412
 Fax (512) 833-7499

www.ctmrs.com
 email: info@ctmrs.com

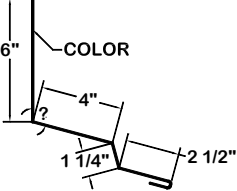
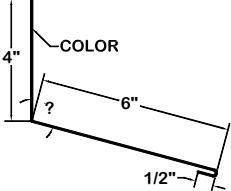
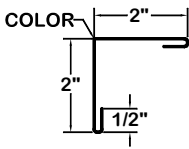
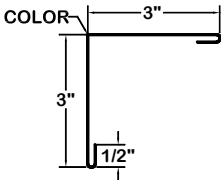
Seguin – Plant / Sales Office
 720 West IH 10 Seguin, Texas 78155
 (830) 379-3600 (877) 622-8677
 Fax (830) 379-8753

ITEM	DESCRIPTION							
	PART NUMBER	DIM A	LENGTH	GIRTH	WEIGHT			
SILL / DRIP TRIM 	T520/10	3/4"	10'-0"	6 1/4"	4.35			
	T521/10	1 1/4"	10'-0"	7 1/4"	4.75			
	T522/10	2 1/4"	10'-0"	9 1/4"	5.54			
SIDEWALL / PARAPET RAKE TRIM FLOATING 	T523/10	3"	10'-0"	8"	6.33			
	T523/20	3"	20'-2"	8"	12.77			
	T524/10	5"	10'-0"	10"	7.92			
	T524/20	5"	20'-2"	10"	15.97			
	T525/10	7"	10'-0"	12"	9.50			
	T525/20	7"	20'-2"	12"	19.16			
SIDEWALL / PARAPET RAKE TRIM FLOATING 	T526/10		10'-0"	9 1/4"	7.32			
	T526/20		20'-2"	9 1/4"	14.77			
ENDWALL / PARAPET HIGH EAVE  <p>SPECIFY ANGLE OR ROOF SLOPE</p>	T527/10	4 1/2"	10'-0"	11"	8.71			
	T528/10	5 1/2"	10'-0"	12"	9.50			
	T528/20	5 1/2"	20'-0"	12"	19.16			
Kynar 500 ® Flashing – 24Ga Typ. Galvalume® and SMP Flashing – 26Ga Typ. Galvalume® = Acrylic Coated Galvalume Galvalume is a trademark of BIEC, Inc.								

Austin – Headquarters / Sales Office
 830 Sagebrush Dr Austin, Texas 78758
 (512) 452-1515 (800) 428-7412
 Fax (512) 833-7499

www.ctmrs.com
 email: info@ctmrs.com

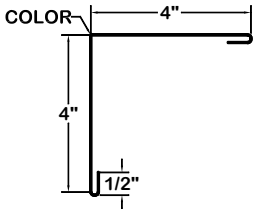
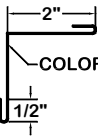
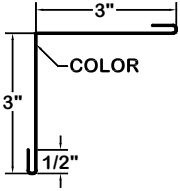
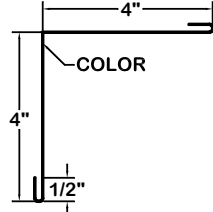
Seguin – Plant / Sales Office
 720 West IH 10 Seguin, Texas 78155
 (830) 379-3600 (877) 622-8677
 Fax (830) 379-8753

ITEM	DESCRIPTION						
	PART NUMBER	LENGTH	GIRTH	WEIGHT			
ENDWALL / PARAPET HIGH EAVE FLOATING  SPECIFY ANGLE OR ROOF SLOPE	T529/10	10'-0"	14 1/4"	11.28			
	T529/20	20'-2"	14 1/4"	22.75			
ENDWALL / PARAPET HIGH EAVE EXTENDED (FIXED)  SPECIFY ANGLE OR ROOF SLOPE	T530/10	10'-0"	10 1/2"	8.31			
2 X 2 OUTSIDE ANGLE 	T180/10	10'-0"	5"	3.96			
	T180/20	20'-2"	5"	7.98			
3 X 3 OUTSIDE ANGLE 	T181/10	10'-0"	7"	5.54			
	T181/20	20'-2"	7"	11.18			
Kynar 500 ® Flashing – 24Ga Typ. Galvalume® and SMP Flashing – 26Ga Typ. Galvalume® = Acrylic Coated Galvalume Galvalume is a trademark of BIEC, Inc.							

Austin – Headquarters / Sales Office
 830 Sagebrush Dr Austin, Texas 78758
 (512) 452-1515 (800) 428-7412
 Fax (512) 833-7499

www.ctmrs.com
 email: info@ctmrs.com

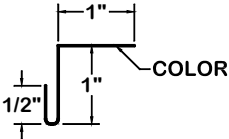
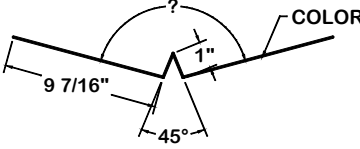
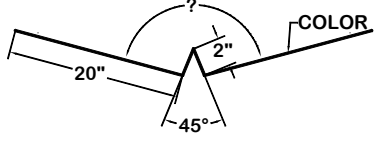
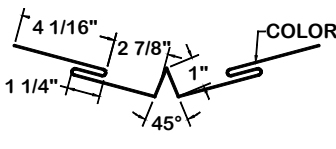
Seguin – Plant / Sales Office
 720 West IH 10 Seguin, Texas 78155
 (830) 379-3600 (877) 622-8677
 Fax (830) 379-8753

ITEM	DESCRIPTION				
4 X 4 OUTSIDE ANGLE 	PART NUMBER	LENGTH	GIRTH	WEIGHT	
	T182/10	10'-0"	9"	7.13	
	T182/20	20'-2"	9"	14.37	
2 X 2 INSIDE ANGLE 	PART NUMBER	LENGTH	GIRTH	WEIGHT	
	T183/10	10'-0"	5"	3.96	
	T183/20	20'-2"	5"	7.98	
3 X 3 INSIDE ANGLE 	PART NUMBER	LENGTH	GIRTH	WEIGHT	
	T184/10	10'-0"	7"	5.54	
	T184/20	20'-2"	7"	11.18	
4 X 4 INSIDE ANGLE 	PART NUMBER	LENGTH	GIRTH	WEIGHT	
	T185/10	10'-0"	9"	7.13	
	T185/20	20'-2"	9"	14.37	
<p>Kynar 500® Flashing – 24Ga Typ. Galvalume® and SMP Flashing – 26Ga Typ. Galvalume® = Acrylic Coated Galvalume Galvalume is a trademark of BIEC, Inc.</p>					

Austin – Headquarters / Sales Office
830 Sagebrush Dr Austin, Texas 78758
(512) 452-1515 (800) 428-7412
Fax (512) 833-7499

www.ctmrs.com
email: info@ctmrs.com

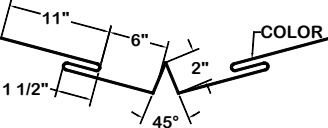
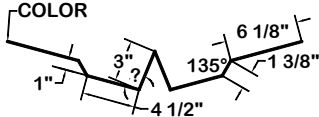

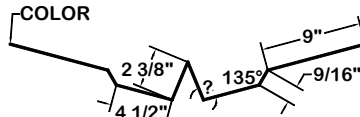
Seguin – Plant / Sales Office
720 West IH 10 Seguin, Texas 78155
(830) 379-3600 (877) 622-8677
Fax (830) 379-8753

ITEM	DESCRIPTION						
<p>PARAPET RAKE CLEAT</p> 	PART NUMBER	LENGTH	GIRTH	WEIGHT			
	T531/10	10'-0"	2 1/2"	1.98			
	T531/20	20'-2"	2 1/2"	3.99			
<p>STANDARD VALLEY</p>  <p>SPECIFY ANGLE OR ROOF SLOPE</p>	PART NUMBER	LENGTH	GIRTH	WEIGHT			
	T200/10	10'-0"	20 13/16"	16.63			
	T200/20	20'-2"	20 13/16"	33.53			
<p>EXTENDED VALLEY</p>  <p>SPECIFY ANGLE OR ROOF SLOPE</p>	PART NUMBER	LENGTH	GIRTH	WEIGHT			
	T202/10	10'-0"	44"	34.83			
<p>VALLEY WITH INTEGRATED CLEAT</p>  <p>SPECIFY ANGLE OR ROOF SLOPE</p>	PART NUMBER	LENGTH	GIRTH	WEIGHT			
	T203/10	10'-0"	20 13/16"	30.68			
<p>Kynar 500 ® Flashing – 24Ga Typ. Galvalume® and SMP Flashing – 26Ga Typ. Galvalume® = Acrylic Coated Galvalume Galvalume is a trademark of BIEC, Inc.</p>							

Austin – Headquarters / Sales Office
830 Sagebrush Dr Austin, Texas 78758
(512) 452-1515 (800) 428-7412
Fax (512) 833-7499

www.ctmrs.com
email: info@ctmrs.com

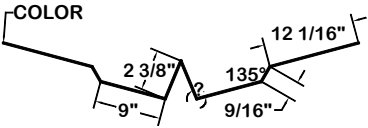
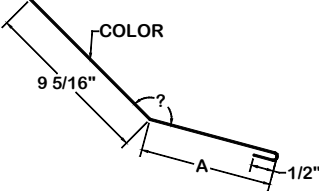
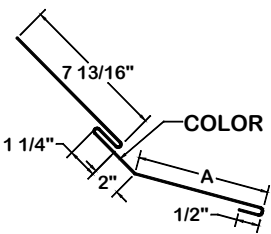
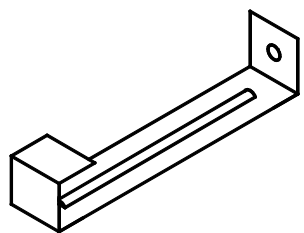
Seguin – Plant / Sales Office
720 West IH 10 Seguin, Texas 78155
(830) 379-3600 (877) 622-8677
Fax (830) 379-8753

ITEM	DESCRIPTION						
	PART NUMBER	LENGTH	GIRTH	WEIGHT			
EXTENDED VALLEY WITH INTEGRATED CLEAT  SPECIFY ANGLE OR ROOF SLOPE	T204/10	10'-0"	44"	34.83			
	 SPECIFY ANGLE OR ROOF SLOPE						
VALLEY  SPECIFY ANGLE OR ROOF SLOPE	T206/10	10'-0"	41 1/2"	32.85			
	USE WITH HIGH FIXED OR FLOATING SYSTEM - EXTENDED						
VALLEY  SPECIFY ANGLE OR ROOF SLOPE	T207/10	10'-0"	32 7/8"	26.03			
	USE WITH LOW FIXED OR FLOATING SYSTEM.						
Kynar 500 ® Flashing – 24Ga Typ. Galvalume® and SMP Flashing – 26Ga Typ. Galvalume® = Acrylic Coated Galvalume Galvalume is a trademark of BIEC, Inc.							

Austin – Headquarters / Sales Office
 830 Sagebrush Dr Austin, Texas 78758
 (512) 452-1515 (800) 428-7412
 Fax (512) 833-7499

www.ctmrs.com
 email: info@ctmrs.com

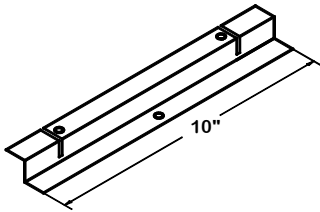
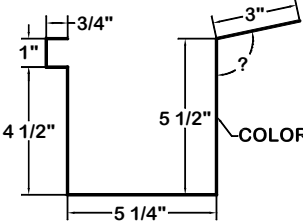
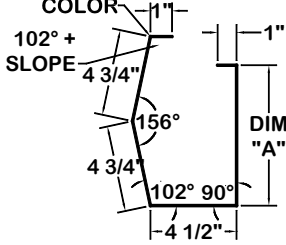
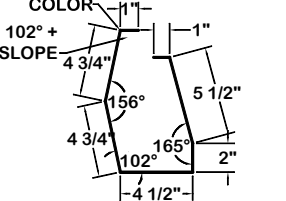
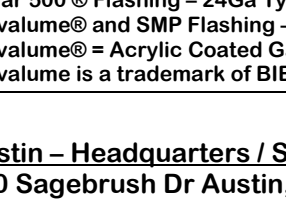
Seguin – Plant / Sales Office
 720 West IH 10 Seguin, Texas 78155
 (830) 379-3600 (877) 622-8677
 Fax (830) 379-8753

ITEM	DESCRIPTION				
	PART NUMBER	LENGTH	GIRTH	WEIGHT	
VALLEY  SPECIFY ANGLE OR ROOF SLOPE	T208/10	10'-0"	48"	38.00	
SLOPE TRANSITION / PITCH CHANGE  SPECIFY ANGLE OR ROOF SLOPE	T323/10	8"	10'-0"	17 13/16"	14.10
	T323/20	8"	20'-2"	17 13/16"	28.44
	T324/10	11"	10'-0"	20 13/16"	16.48
	T324/20	11"	20'-2"	20 13/16"	33.23
	T325/10	14"	10'-0"	23 13/16"	18.85
	T325/20	14"	20'-2"	23 13/16"	38.02
SLOPE TRANSITION / PITCH CHANGE WITH INTEGRATED CLEAT  SPECIFY ANGLE OR ROOF SLOPE	T326/10	8"	10'-0"	20 13/16"	16.48
	T327/10	11"	10'-0"	23 13/16"	18.85
	T328/10	14"	10'-0"	26 13/16"	21.23
GUTTER HANGER 	PART NUMBER	LENGTH	WEIGHT		
	HANGER6	6"	0.23		
	HANGER7	7"	0.29		
	HANGER8	8"	0.35		
Kynar 500 ® Flashing – 24Ga Typ. Galvalume® and SMP Flashing – 26Ga Typ. Galvalume® = Acrylic Coated Galvalume Galvalume is a trademark of BIEC, Inc.					

Austin – Headquarters / Sales Office
 830 Sagebrush Dr Austin, Texas 78758
 (512) 452-1515 (800) 428-7412
 Fax (512) 833-7499

www.ctmrs.com
 email: info@ctmrs.com

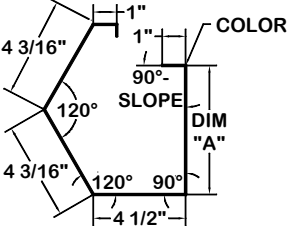
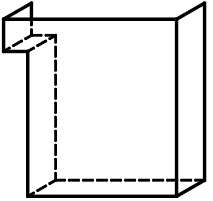
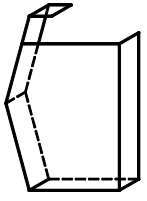
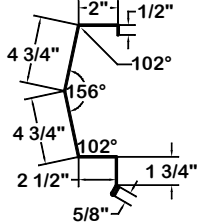
Seguin – Plant / Sales Office
 720 West IH 10 Seguin, Texas 78155
 (830) 379-3600 (877) 622-8677
 Fax (830) 379-8753

ITEM	DESCRIPTION						
	PART NUMBER	LENGTH	GIRTH	WEIGHT			
GUTTER STRAP  18 GAUGE STRAP – USE WITH STYLE OR SCULPTURED GUTTER	T532/10	10"	2 1/4"	0.30			
	BOX GUTTER  SPECIFY ANGLE OR ROOF SLOPE						
SCULPTURED GUTTER  SPECIFY ANGLE OR ROOF SLOPE	T534/10	7 5/16"	10'-0"	23 5/16"	17.66		
	T534/20	7 5/16"	20'-2"	23 5/16"	35.62		
SCULPTURED GUTTER  SPECIFY ANGLE OR ROOF SLOPE	T535/10	7 15/16"	10'-0"	23 15/16"	18.16		
	T535/20	7 15/16"	20'-2"	23 15/16"	36.62		
USE WHERE EAVE PLATES ARE NOT USED T534 – UP TO 4/12 SLOPE T535 – OVER 4/12 SLOPE							
SCULPTURED GUTTER  SPECIFY ANGLE OR ROOF SLOPE	T536/10	10'-0"	23 1/2"	18.60			
	T536/20	20'-2"	23 1/2"	37.52			
USE WHEN EAVE PLATES ARE USED USE UP TO 4/12 SLOPE							
Kynar 500® Flashing – 24Ga Typ. Galvalume® and SMP Flashing – 26Ga Typ. Galvalume® = Acrylic Coated Galvalume Galvalume is a trademark of BIEC, Inc.							

Austin – Headquarters / Sales Office
 830 Sagebrush Dr Austin, Texas 78758
 (512) 452-1515 (800) 428-7412
 Fax (512) 833-7499

www.ctmrs.com
 email: info@ctmrs.com

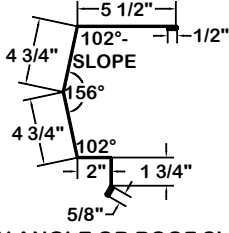
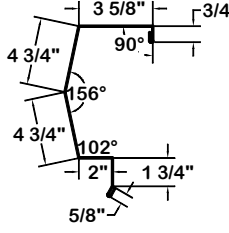
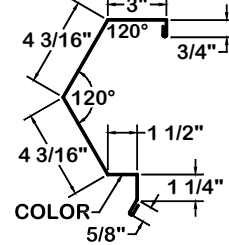
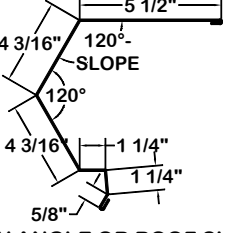
Seguin – Plant / Sales Office
 720 West IH 10 Seguin, Texas
 78155
 (830) 379-3600 (877) 622-8677
 Fax (830) 379-8753

ITEM	DESCRIPTION							
<p>STYLE GUTTER</p>  <p>SPECIFY ANGLE OR ROOF SLOPE</p>	PART NUMBER	DIM A	LENGTH	GIRTH	WEIGHT			
	T537/10	5"	10'-0"	20 3/8"	16.13			
	T537/20	5"	20'-2"	20 3/8"	32.53			
	T538/10	5 1/4"	10'-0"	20 5/8"	16.33			
	T538/20	5 1/4"	20'-2"	20 5/8"	32.93			
	T537 - UP TO	4/12	SLOPE					
	T538 - OVER	4/12	SLOPE					
<p>GUTTER END - BOX GUTTER</p> 	PART NUMBER	LENGTH	GIRTH	WEIGHT				
	T540	10'-0" 20'-2"	N/A	0.25				
<p>GUTTER END - SCULPTURED OR STYLE TYPE GUTTER</p> 	PART NUMBER	LENGTH	GIRTH	WEIGHT				
	T541	10'-0" 20'-2"	N/A	0.25				
<p>SCULPTURED EAVE TRIM</p>  <p>SPECIFY ANGLE OR ROOF SLOPE</p>	PART NUMBER	LENGTH	GIRTH	WEIGHT				
	T542/10	10'-0"	17 1/2"	13.85				
	T542/20	20'-2"	17 1/2"	27.94				
<p>Kynar 500 ® Flashing – 24Ga Typ. Galvalume® and SMP Flashing – 26Ga Typ. Galvalume® = Acrylic Coated Galvalume Galvalume is a trademark of BIEC, Inc.</p>								

Austin – Headquarters / Sales Office
830 Sagebrush Dr Austin, Texas 78758
(512) 452-1515 (800) 428-7412
Fax (512) 833-7499

www.ctmrs.com
email: info@ctmrs.com

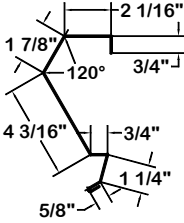
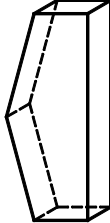
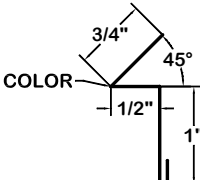
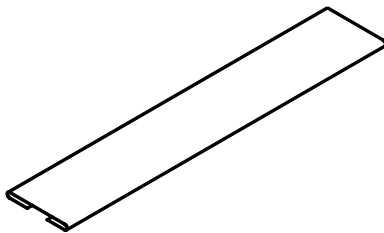
Seguin – Plant / Sales Office
720 West IH 10 Seguin, Texas 78155
(830) 379-3600 (877) 622-8677
Fax (830) 379-8753

ITEM	DESCRIPTION						
	PART NUMBER	LENGTH	GIRTH	WEIGHT			
SCULPTURED HIGH SIDE EAVE TRIM  SPECIFY ANGLE OR ROOF SLOPE	T543/10	10'-0"	20 1/2"	16.23			
	T543/20	20'-2"	20 1/2"	32.73			
SCULPTURED RAKE TRIM 	T544/10	10'-0"	19 3/8"	15.34			
	T544/20	20'-2"	19 3/8"	30.93			
STYLE RAKE TRIM  COLOR	T545/10	10'-0"	16 1/2"	13.06			
	T545/20	20'-2"	16 1/2"	26.34			
STYLE HIGH SIDE EAVE TRIM  SPECIFY ANGLE OR ROOF SLOPE	T546/10	10'-0"	18"	14.25			
	T546/20	20'-2"	18"	28.74			
Kynar 500 ® Flashing – 24Ga Typ. Galvalume® and SMP Flashing – 26Ga Typ. Galvalume® = Acrylic Coated Galvalume Galvalume is a trademark of BIEC, Inc.							

Austin – Headquarters / Sales Office
 830 Sagebrush Dr Austin, Texas 78758
 (512) 452-1515 (800) 428-7412
 Fax (512) 833-7499

www.ctmrs.com
 email: info@ctmrs.com

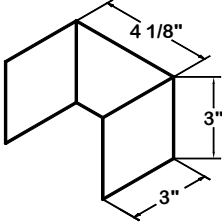
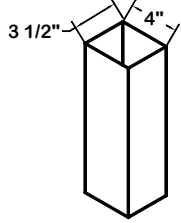
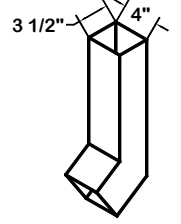
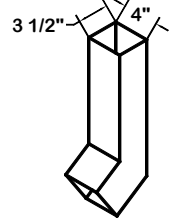
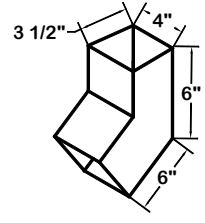
Seguin – Plant / Sales Office
 720 West IH 10 Seguin, Texas 78155
 (830) 379-3600 (877) 622-8677
 Fax (830) 379-8753

ITEM	DESCRIPTION						
	PART NUMBER	LENGTH	GIRTH	WEIGHT			
STYLE EAVE TRIM 	T547/10	10'-0"	12 1/8"	9.50			
	T547/20	20'-2"	12 1/8"	19.16			
STYLE RAKE END CAP 	T548	N/A	N/A	0.75			
RAKE SLIDE 	T549/10	10'-0"	2 3/4"	2.18			
	T549/20	20'-2"	2 3/4"	4.39			
UNIVERSAL STRAP 	T21/10	10'-0"	3"	2.38			
<p>Kynar 500® Flashing – 24Ga Typ. Galvalume® and SMP Flashing – 26Ga Typ. Galvalume® = Acrylic Coated Galvalume Galvalume is a trademark of BIEC, Inc.</p>							

Austin – Headquarters / Sales Office
 830 Sagebrush Dr Austin, Texas 78758
 (512) 452-1515 (800) 428-7412
 Fax (512) 833-7499

www.ctmrs.com
 email: info@ctmrs.com

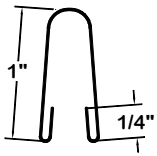
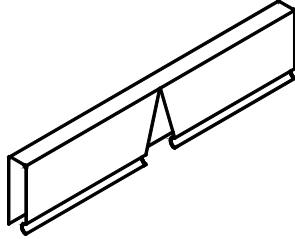
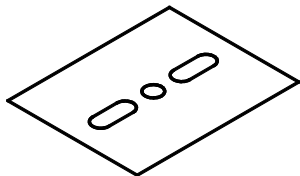
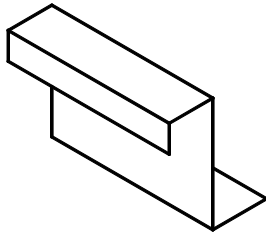
Seguin – Plant / Sales Office
 720 West IH 10 Seguin, Texas 78155
 (830) 379-3600 (877) 622-8677
 Fax (830) 379-8753

ITEM	DESCRIPTION						
	PART NUMBER	LENGTH	GIRTH	WEIGHT			
DOWNSPOUT STRAP 	T311	3	10 1/8"	0.20			
	STRAIGHT DOWNSPOUT 						
DOWNSPOUT WITH ELBOW 	T305/10	10'-0"	16 1/2"	13.26			
	T305/20	20'-2"	16 1/2"	26.74			
DOWNSPOUT WITH ELBOW 	T306/10	10'-0"	16 1/2"	13.26			
	T306/20	20'-2"	16 1/2"	26.74			
DOWNSPOUT ELBOW 	T310/45	12"	16 1/2"	1.38			
	T310/90	12"	16 1/2"	1.38			
Kynar 500® Flashing – 24Ga Typ. Galvalume® and SMP Flashing – 26Ga Typ. Galvalume® = Acrylic Coated Galvalume Galvalume is a trademark of BIEC, Inc.							

Austin – Headquarters / Sales Office
 830 Sagebrush Dr Austin, Texas 78758
 (512) 452-1515 (800) 428-7412
 Fax (512) 833-7499

www.ctmrs.com
 email: info@ctmrs.com

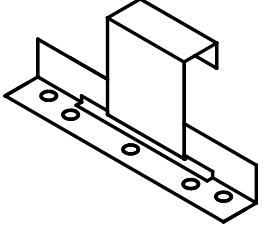
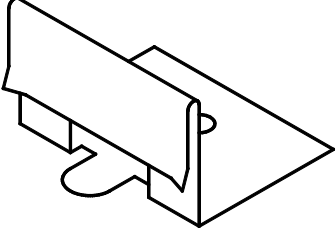
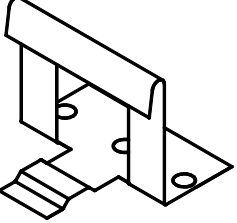
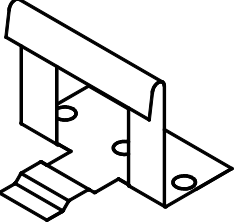
Seguin – Plant / Sales Office
 720 West IH 10 Seguin, Texas 78155
 (830) 379-3600 (877) 622-8677
 Fax (830) 379-8753

ITEM	DESCRIPTION						
BATTEN CAP 	PART NUMBER	LENGTH	GIRTH	WEIGHT			
	T 551	SPECIFY	2 9/16"	0.16/LF			
SHURLOC 175 RIB COVER 	PART NUMBER	LENGTH	GIRTH	WEIGHT			
	T550	8"	4 1/4"	0.25			
BEARING PLATE  3 7/8" X 5"	PART NUMBER	GAUGE	LENGTH	FINISH			
	BP20GVZ40X50	20	N/A	GALVANIZED			
SPANLOC UTILITY CLIP 	PART NUMBER	PANEL SYSTEM	HIEGHT	GAUGE	BOX QTY		
	CLSL1024GFX1125	SPANLOC 100	1 1/8"	24	1,000		
	CLSL1524GFX1625	SPANLOC 150	1 5/8"	24	1,000		
	CLSL2024GFX2125	SPANLOC200 FIXED	2 1/8"	22	600		
Kynar 500 ® Flashing – 24Ga Typ. Galvalume® and SMP Flashing – 26Ga Typ. Galvalume® = Acrylic Coated Galvalume Galvalume is a trademark of BIEC, Inc.							

Austin – Headquarters / Sales Office
 830 Sagebrush Dr Austin, Texas 78758
 (512) 452-1515 (800) 428-7412
 Fax (512) 833-7499

www.ctmrs.com
 email: info@ctmrs.com

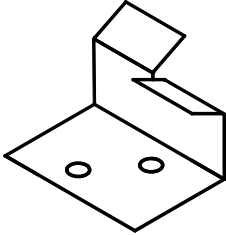
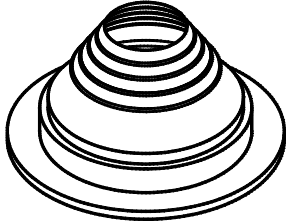
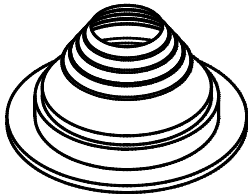
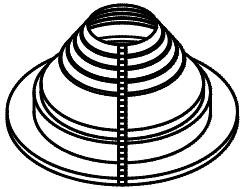
Seguin – Plant / Sales Office
 720 West IH 10 Seguin, Texas 78155
 (830) 379-3600 (877) 622-8677
 Fax (830) 379-8753

ITEM	DESCRIPTION				
	PART NUMBER	PANEL SYSTEM	HIEGHT	GAUGE	BOX QTY
SPANLOC UTILITY FLOATING CLIP 	CLSL1024GFL1125	SPANLOC 100	1 1/8"	24 & 24	250
	CLSL1522GFL1625	SPANLOC 150	1 5/8"	22 & 22	250
	CLSL2022GFL2375	SPANLOC 200	2 1/8"	18 & 22	500
SHURLOC 150 CLIP 	CLSH15GUT1500	SHURLOC 150	1 5/16"		500
SHURLOC 175 UTILITY CLIP 	CLSH1718GUT1875	SHURLOC 175	1 7/8"	18	400
SHURLOC 175 UL CLIP 	CLSH1718GUL1875	SHURLOC 175	1 7/8"	18	250
Kynar 500® Flashing – 24Ga Typ. Galvalume® and SMP Flashing – 26Ga Typ. Galvalume® = Acrylic Coated Galvalume Galvalume is a trademark of BIEC, Inc.					

Austin – Headquarters / Sales Office
 830 Sagebrush Dr Austin, Texas 78758
 (512) 452-1515 (800) 428-7412
 Fax (512) 833-7499

www.ctmrs.com
 email: info@ctmrs.com

Seguin – Plant / Sales Office
 720 West IH 10 Seguin, Texas
 78155
 (830) 379-3600 (877) 622-8677
 Fax (830) 379-8753

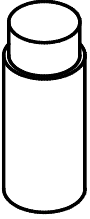
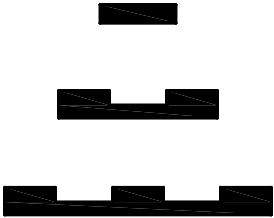
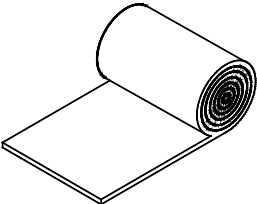
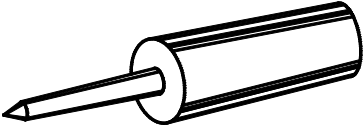
ITEM	DESCRIPTION					
BATTLOC CLIP 	PART NUMBER	PANEL SYSTEM	HIEGHT	GAUGE	BOX QTY	
	CLBL26GFX0625	BATTLOC 058	5/8"	26	1,000	
	CLBL26GFX1000	BATTLOC 100	1"	26	1,000	
	CLBL24GFX1000	BATTLOC 100	1"	24	1,000	
	CLBL26GFX1500	BATTLOC 150	1 1/2"	26	500	
	CLBL24GFX1500	BATTLOC 150	1 1/2"	24	500	
PIPE FLASHING – GRAY EPDM 	PART NUMBER	PIPE SIZE RANGE	BASE DIMENSION			
	PFG000	1/4" TO 1 1/8"	3 1/2"			
	PFG001	1/4" TO 2"	4 3/4"			
	PFG002	1 3/4" TO 4"	6 1/4"			
	PFG003	1/2" TO 4"	7 3/4"			
	PFG004	3" TO 6"	9 1/4"			
	PFG005	4" TO 7"	10 3/4"			
	PFG007	6" TO 11"	14 1/2"			
	PFG008	7" TO 13"	16 1/2"			
	PFG009	10" TO 18"	25 3/8"			
PFG010	16" TO 24"	39 1/2" x 35" sq.				
EPDM RUBBER SERVICE TEMPERATURE –65F TO 250F.						
IF SLOPE IS MORE THAN 20 DEGREES USE NEXT SIZE UP.						
PIPE FLASHING – RED SILICONE (HIGH TEMPERATURE) 	PART NUMBER	PIPE SIZE RANGE	BASE DIMENSION			
	PFS003	1/4" TO 4"	7 3/4"			
	PFS005	4" TO 7"	10 3/4"			
	PFS008	7" TO 13"	16 1/2"			
	PFS009	10" TO 18"	25 3/8"			
SILICONE SERVICE TEMPERATURE –40F TO 350F.						
IF SLOPE IS MORE THAN 20 DEGREES USE NEXT SIZE UP.						
RETROFIT PIPE FLASHING – GRAY EPDM 	PART NUMBER	PIPE SIZE RANGE	BASE DIMENSION			
	PFG801	3/4" TO 2 3/4"	6 1/4"			
	PFG802	2" TO 7 1/4"	10 3/4"			
	PFG803	3 1/4" TO 10"	14 1/2"			
EPDM RUBBER SERVICE TEMPERATURE –65F TO 250F.						
IF SLOPE IS MORE THAN 20 DEGREES USE NEXT SIZE UP.						
Kynar 500 ® Flashing – 24Ga Typ. Galvalume® and SMP Flashing – 26Ga Typ. Galvalume® = Acrylic Coated Galvalume Galvalume is a trademark of BIEC, Inc.						

Austin – Headquarters / Sales Office
 830 Sagebrush Dr Austin, Texas 78758
 (512) 452-1515 (800) 428-7412
 Fax (512) 833-7499

www.ctmrs.com
 email: info@ctmrs.com

Seguin – Plant / Sales Office
 720 West IH 10 Seguin, Texas 78155
 (830) 379-3600 (877) 622-8677
 Fax (830) 379-8753

Central Texas Metal Roofing Supply Co., Inc

ITEM	DESCRIPTION						
TOUCHUP PAINT 	PART NUMBER	SIZE	TYPE				
	PNTK2	2 OZ	KYNAR - BRUSH ON (BRUSH NOT INCLUDED)				
BUTYL TAPE SEALER 	PART NUMBER	SIZE	CARTON	CARTON			
	TAPE038	3/8" X 3/32" X 45'	24 ROLLS	45.20			
	TAPE078	7/8" X 3/16" X 25'	14 ROLLS	60.75			
REFLECTIVE INSULATION  SINGLE BUBBLE FOIL BACKING	PART NUMBER	LENGTH	WIDTH	WEIGHT			
	INSAAS48FOIL	125'-0"	4'-0"	50.00			
CAULK SEALER - TUBE  10 OZ TUBE	PART NUMBER	TYPE	COLOR	CARTON QUANTITY	CARTON WEIGHT		
	TCWM61111CLEAR	ACRYLIC	CLEAR	12	15		
	TCWM62611GRAY	POLYURETHANE	GRAY	12	15		
	TCWM61141BRONZE	POLYURETHANE	BRONZE	12	15		
	TCWM61611BEIGE	POLYURETHANE	BEIGE	12	15		
	TCWM61011WHITE	POLYURETHANE	WHITE	12	15		
Kynar 500 ® Flashing – 24Ga Typ. Galvalume® and SMP Flashing – 26Ga Typ. Galvalume® = Acrylic Coated Galvalume Galvalume is a trademark of BIEC, Inc.							

Austin – Headquarters / Sales Office
 830 Sagebrush Dr Austin, Texas 78758
 (512) 452-1515 (800) 428-7412
 Fax (512) 833-7499

www.ctmrs.com
 email: info@ctmrs.com

Seguin – Plant / Sales Office
 720 West IH 10 Seguin, Texas 78155
 (830) 379-3600 (877) 622-8677
 Fax (830) 379-8753