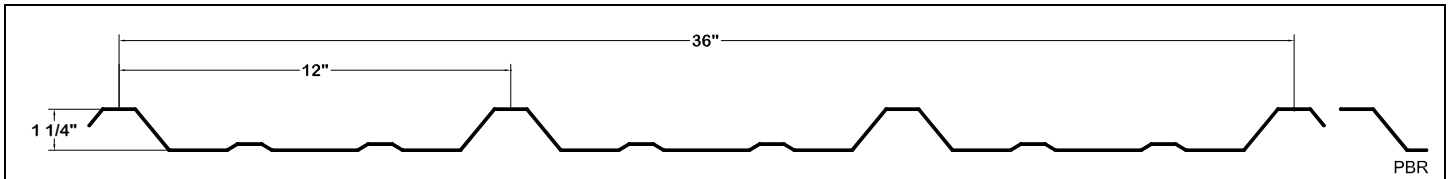


Central Texas Metal Roofing Supply Co., Inc



GAUGE	PANEL	FINISH	NET COVERAGE	SHEET WIDTH	WEIGHT PER SQ.
26	R	GALVALUME®	36"	38 1/4"	95.00
26	PBR	GALVALUME®	36"	40 1/4"	95.00
26	R	SMP	36"	38 1/4"	95.00
26	PBR	SMP (NOTE 1)	36"	40 1/4"	95.00
24	R	GALVALUME®	36"	38 1/4"	121.00
24	PBR	GALVALUME®	36"	40 1/4"	121.00
24	R	KYNAR500®	36"	38 1/4"	121.00
24	PBR	KYNAR500®	36"	40 1/4"	121.00
24	R	PREMIUM KYNAR500®	36"	38 1/4"	121.00
24	PBR	PREMIUM KYNAR500®	36"	40 1/4"	121.00

NOTE 1: White, Light Stone, Ash Gray and Tan. Inquire for other colors.

PANEL PRICING:

1. Price per Square is based on 38 1/4" or 40 1/4" sheet width.
2. Add \$ 2.00 per each panel less than 3'-0".
3. Add \$ 40.00 set up charge for reverse run panels. (Color upside down).
4. Panels longer than 45' will have a 10% surcharge.

PACKAGING PRICING:

- | | | |
|---|--|------------------|
| 1. Maximum weight of one bundle is 3,000 pounds or 75 panels. | | |
| 2. Standard packaging - band with guard, top waster sheet | \$10.00/bundle | \$20.00 over 16' |
| 3. Block and band, top waster sheet | \$15.00/bundle | \$25.00 over 16' |
| 4. Block and band, top and bottom waster sheet | \$25.00/bundle | \$40.00 over 16' |
| 5. LTL Crating - block and band, top and bottom waster sheet | \$5.00/linear foot, minimum charge \$40.00 | |

Orders less than 5 panels will require block and band , top waster sheet

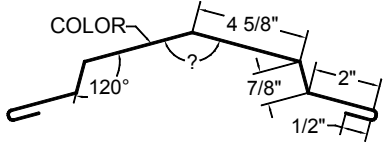
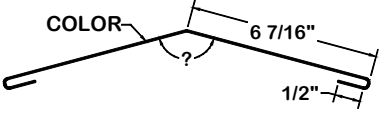
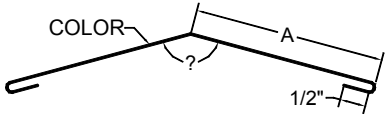
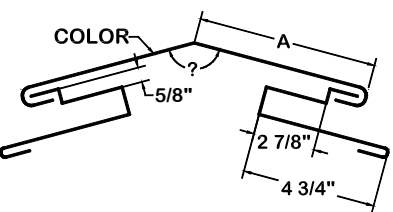
Galvalume® and Acrylic Coated Galvalume® are unfinished products.
Shade variations, color difference and a rate of weathering in unfinished product such as Galvalume® and Acrylic Coated Galvalume® should be anticipated and are not a cause for rejection.
Use a pre-painted finish if uniform weathering and appearance is crucial.

Austin – Headquarters / Sales Office
 830 Sagebrush Dr Austin, Texas 78758
 (512) 452-1515 (800) 428-7412
 Fax (512) 833-7499

www.ctmrs.com
 email: info@ctmrs.com

Seguin – Plant / Sales Office
 720 West IH 10 Seguin, Texas 78155
 (830) 379-3600 (877) 622-8677
 Fax (830) 379-8753

Central Texas Metal Roofing Supply Co., Inc

ITEM	DESCRIPTION						
	PART NUMBER	LENGTH	GIRTH	WEIGHT			
UNIVERSAL RIDGE CAP 	T100/10	10'-0"	16"	11.41			
	T100/20	20'-2"	16"	23.01			
SPECIFY ANGLE OR ROOF SLOPE							
HIP / RIDGE CAP 	T101/10	10'-0"	13 7/8"	9.89			
	T101/20	20'-2"	13 7/8"	19.95			
SPECIFY ANGLE OR ROOF SLOPE							
HIP / RIDGE CAP - EXTENDED 	T102/10	10'-0"	16"	11.41			
	T102/20	20'-2"	16"	23.01			
	T103/10	10'-0"	24"	17.40			
	T103/20	20'-2"	24"	34.80			
T102 - A = 7 1/2" T103 - A = 11 1/2" SPECIFY ANGLE OR ROOF SLOPE							
VENTED RIDGE CAP 	T110/10	10'-0"	38"	27.10			
	VENTED AREA = 4.62SQ IN/LF DIM "A" DEPENDS ON THE ROOF SLOPE. SLOPE DIM "A" 1/4 /12 to 6 /12 6 7/16" 6 1/8 /12 to 9 /12 7 1/2" 9 1/8 /12 to 12/12 8 1/2"						
SPECIFY ANGLE OR ROOF SLOPE							
Kynar 500 ® Flashing – 24Ga Typ. Galvalume® and SMP Flashing – 26Ga Typ. Galvalume® = Acrylic Coated Galvalume Galvalume is a trademark of BIEC , Inc.							

Austin – Headquarters / Sales Office
 830 Sagebrush Dr Austin, Texas 78758
 (512) 452-1515 (800) 428-7412
 Fax (512) 833-7499

www.ctmrs.com
 email: info@ctmrs.com

Seguin – Plant / Sales Office
 720 West IH 10 Seguin, Texas 78155
 (830) 379-3600 (877) 622-8677
 Fax (830) 379-8753

Central Texas Metal Roofing Supply Co., Inc

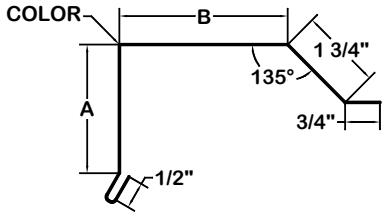
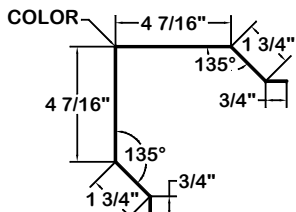
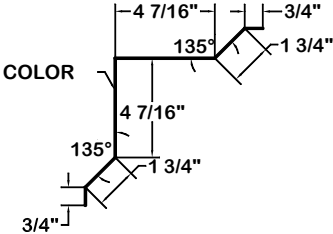
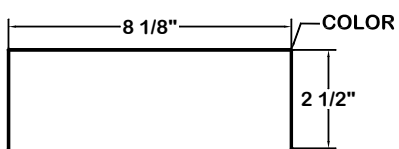
ITEM	DESCRIPTION						
	PART NUMBER	LENGTH	GIRTH	WEIGHT			
VENTED SKIRT 	T400/10	10'-0"	10"	8.21			
	VENTED AREA = 2.31 SQ IN/LF						
VENTED RIDGE END CAP 	T151/10	18"	N/A	.15			
	PRE NOTCHED FOR ADJUSTMENT TO ROOF SLOPE						
PEAK FLASHING / HIGH SIDE EAVE <p>SPECIFY ANGLE OR ROOF SLOPE</p>	T152RP/10	10'-0"	10 5/8"	8.41			
	T152RP/20	20'-2"	10 5/8"	16.96			
	T153RP/10	10'-0"	13 3/8"	9.80			
	T153RP/20	20'-2"	13 3/8"	19.76			
	T152 - A = 2 3/4"						
	T153 - A = 5 1/2"						
FASCIA TRIM 	T154/10	10'-0"	7 1/2"	7.40			
	T154/20	20'-2"	7 1/2"	14.92			
	Kynar 500 ® Flashing – 24Ga Typ. Galvalume® and SMP Flashing – 26Ga Typ. Galvalume® = Acrylic Coated Galvalume Galvalume is a trademark of BIEC , Inc.						

Austin – Headquarters / Sales Office
 830 Sagebrush Dr Austin, Texas 78758
 (512) 452-1515 (800) 428-7412
 Fax (512) 833-7499

www.ctmrs.com
 email: info@ctmrs.com

Seguin – Plant / Sales Office
 720 West IH 10 Seguin, Texas 78155
 (830) 379-3600 (877) 622-8677
 Fax (830) 379-8753

Central Texas Metal Roofing Supply Co., Inc

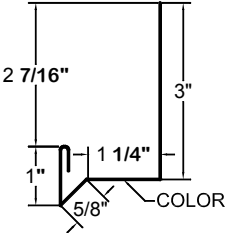
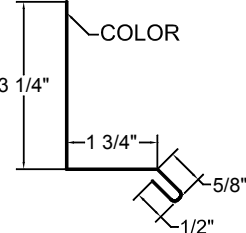
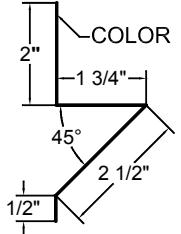
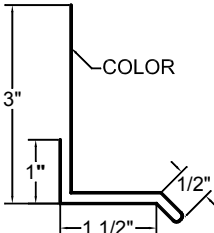
ITEM	DESCRIPTION				
RAKE TRIM 	PART NUMBER	LENGTH	GIRTH	WEIGHT	
	T155RP/10	10'-0"	10 3/8"	8.21	
	T155RP/20	20'-2"	10 3/8"	16.56	
	T156RP/10	10'-0"	14"	10.69	
	T156RP/20	20'-2"	14"	21.55	
T155RP - DIM "A" = 2 3/4", DIM "B" = 4 1/8" T156RP - DIM "A" = 5 1/2", DIM "B" = 5"					
OUTSIDE CORNER TRIM 	PART NUMBER	LENGTH	GIRTH	WEIGHT	
	T157RP/10	10'-0"	13 7/8"	9.89	
	T157RP/20	20'-2"	13 7/8"	19.95	
INSIDE CORNER TRIM 	PART NUMBER	LENGTH	GIRTH	WEIGHT	
	T158RP/10	10'-0"	13 7/8"	9.89	
	T158RP/20	20'-2"	13 7/8"	19.95	
JAMB / HEAD CAP 	PART NUMBER	LENGTH	GIRTH	WEIGHT	
	T159/10	10'-0"	13 1/8"	10.60	
	T159/20	20'-2"	13 1/8"	21.50	
Kynar 500® Flashing – 24Ga Typ. Galvalume® and SMP Flashing – 26Ga Typ. Galvalume® = Acrylic Coated Galvalume Galvalume is a trademark of BIEC, Inc.					

Austin – Headquarters / Sales Office
 830 Sagebrush Dr Austin, Texas 78758
 (512) 452-1515 (800) 428-7412
 Fax (512) 833-7499

www.ctmrs.com
 email: info@ctmrs.com

Seguin – Plant / Sales Office
 720 West IH 10 Seguin, Texas 78155
 (830) 379-3600 (877) 622-8677
 Fax (830) 379-8753

Central Texas Metal Roofing Supply Co., Inc

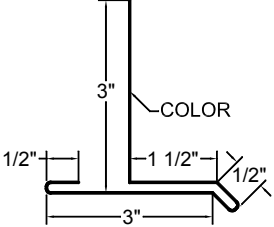
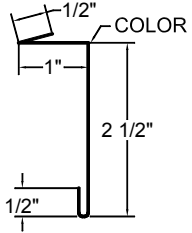
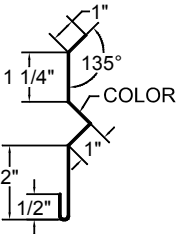

ITEM	DESCRIPTION						
	PART NUMBER	LENGTH	GIRTH	WEIGHT			
HEAD TRIM 	T167RP/100	10'-0"	6 3/8"	5.05			
BASE TRIM – RECESSED 	T160RP/10	10'-0"	6 1/8"	4.85			
	T160RP/20	20'-0"	6 1/8"	9.78			
BASE TRIM – FLUSH 	T161RP/10	10'-0"	6 3/4"	5.34			
	T161RP/20	20'-2"	6 3/4"	10.78			
SILL / DRIP TRIM 	T162RP/10	10'-0"	8"	6.33			
	T162RP/20	20'-2"	8"	12.77			
<p>Kynar 500® Flashing – 24Ga Typ. Galvalume® and SMP Flashing – 26Ga Typ. Galvalume® = Acrylic Coated Galvalume Galvalume is a trademark of BIEC, Inc.</p>							

Austin – Headquarters / Sales Office
 830 Sagebrush Dr Austin, Texas 78758
 (512) 452-1515 (800) 428-7412
 Fax (512) 833-7499

www.ctmrs.com
 email: info@ctmrs.com

Seguin – Plant / Sales Office
 720 West IH 10 Seguin, Texas 78155
 (830) 379-3600 (877) 622-8677
 Fax (830) 379-8753

Central Texas Metal Roofing Supply Co., Inc

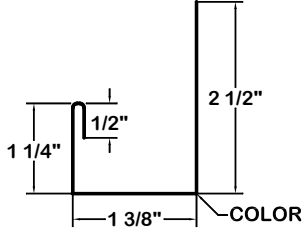
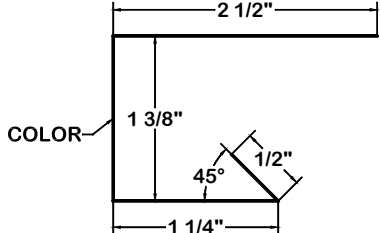
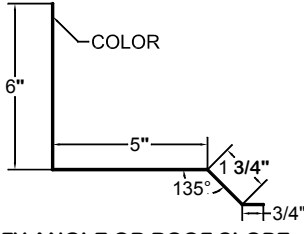
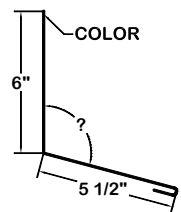
ITEM	DESCRIPTION						
	PART NUMBER	LENGTH	GIRTH	WEIGHT			
SILL WITH SOFFIT 	T320RP	10'-0"	9"	7.13			
COUNTERFLASH  SPECIFY ANGLE OR ROOF SLOPE	T321/10	10'-0"	4 1/2"	3.56			
	T321/20	20'-2"	4 1/2"	7.18			
FLUSH MOUNT COUNTERFLASH  SPECIFY ANGLE OR ROOF SLOPE	T322/10	10'-0"	6 3/4"	5.34			
CONTINUOUS CLEAT 	T20/10	10'-0"	2 1/2"	1.98			
Kynar 500 ® Flashing – 24Ga Typ. Galvalume® and SMP Flashing – 26Ga Typ. Galvalume® = Acrylic Coated Galvalume Galvalume is a trademark of BIEC , Inc.							

Austin – Headquarters / Sales Office
 830 Sagebrush Dr Austin, Texas 78758
 (512) 452-1515 (800) 428-7412
 Fax (512) 833-7499

www.ctmrs.com
 email: info@ctmrs.com

Seguin – Plant / Sales Office
 720 West IH 10 Seguin, Texas 78155
 (830) 379-3600 (877) 622-8677
 Fax (830) 379-8753

Central Texas Metal Roofing Supply Co., Inc

ITEM	DESCRIPTION						
	PART NUMBER	LENGTH	GIRTH	WEIGHT			
HEAD TRIM / J CHANNEL 	T165RP/10	10'-0"	5 5/8"	4.65			
	JAMB TRIM 						
SIDEWALL / PARAPET RAKE TRIM 	T169RP/10	10'-0"	13 1/2"	10.69			
	T169RP/20	20'-2"	13 1/2"	21.55			
ENDWALL / PARAPET HIGH EAVE TRIM 6 X 5 1/2 	T170/10	10'-0"	12"	9.50			
	T170/20	20'-2"	12"	19.16			

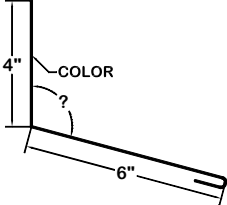
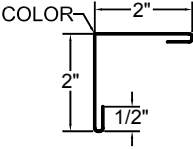
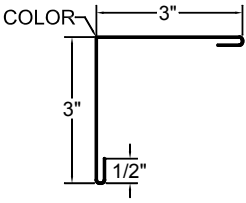
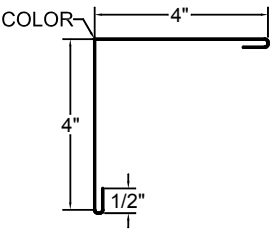
Kynar 500 ® Flashing – 24Ga Typ.
 Galvalume® and SMP Flashing – 26Ga Typ.
 Galvalume® = Acrylic Coated Galvalume
 Galvalume is a trademark of BIEC , Inc.

Austin – Headquarters / Sales Office
 830 Sagebrush Dr Austin, Texas 78758
 (512) 452-1515 (800) 428-7412
 Fax (512) 833-7499

www.ctmrs.com
 email: info@ctmrs.com

Seguin – Plant / Sales Office
 720 West IH 10 Seguin, Texas 78155
 (830) 379-3600 (877) 622-8677
 Fax (830) 379-8753

Central Texas Metal Roofing Supply Co., Inc

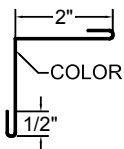
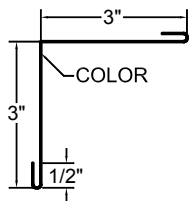
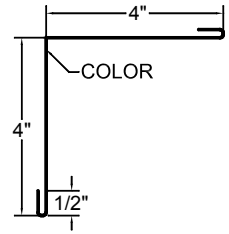
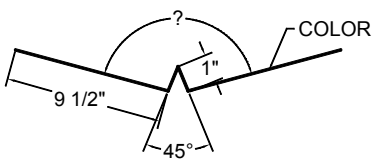
ITEM	DESCRIPTION						
	PART NUMBER	LENGTH	GIRTH	WEIGHT			
ENDWALL / PARAPET HIGH EAVE TRIM 4 X 6  SPECIFY ANGLE OR ROOF SLOPE	T171/10	10'-0"	10 1/2"	8.31			
	T171/20	20'-2"	10 1/2"	16.76			
2 X 2 OUTSIDE ANGLE 	T180/10	10'-0"	5"	3.96			
	T180/20	20'-2"	5"	7.98			
3 X 3 OUTSIDE ANGLE 	T181/10	10'-0"	7"	5.54			
	T181/20	20'-2"	7"	11.18			
4 X 4 OUTSIDE ANGLE 	T182/10	10'-0"	9"	7.13			
	T182/20	20'-2"	9"	14.37			
Kynar 500 ® Flashing – 24Ga Typ. Galvalume® and SMP Flashing – 26Ga Typ. Galvalume® = Acrylic Coated Galvalume Galvalume is a trademark of BIEC , Inc.							

Austin – Headquarters / Sales Office
 830 Sagebrush Dr Austin, Texas 78758
 (512) 452-1515 (800) 428-7412
 Fax (512) 833-7499

www.ctmrs.com
 email: info@ctmrs.com

Seguin – Plant / Sales Office
 720 West IH 10 Seguin, Texas 78155
 (830) 379-3600 (877) 622-8677
 Fax (830) 379-8753

Central Texas Metal Roofing Supply Co., Inc

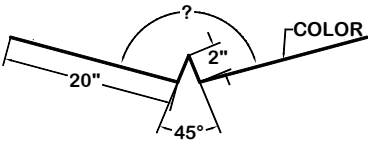
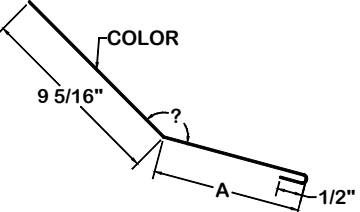
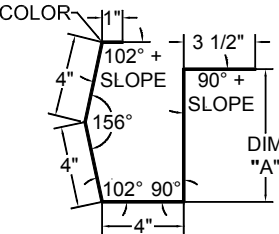
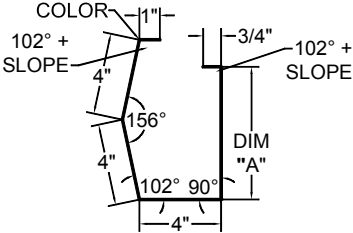
ITEM	DESCRIPTION						
	PART NUMBER	LENGTH	GIRTH	WEIGHT			
2 X 2 INSIDE ANGLE 	T183/10	10'-0"	5"	3.96			
	T183/20	20'-2"	5"	7.98			
3 X 3 INSIDE ANGLE 	T184/10	10'-0"	7"	5.54			
	T184/20	20'-2"	7"	11.18			
4 X 4 INSIDE ANGLE 	T185/10	10'-0"	9"	7.13			
	T185/20	20'-2"	9"	14.37			
STANDARD VALLEY 	T200/10	10'-0"	20 13/16"	16.63			
	T200/20	20'-2"	20 13/16"	33.53			
SPECIFY ANGLE OR ROOF SLOPE							
Kynar 500 ® Flashing – 24Ga Typ. Galvalume® and SMP Flashing – 26Ga Typ. Galvalume® = Acrylic Coated Galvalume Galvalume is a trademark of BIEC , Inc.							

Austin – Headquarters / Sales Office
 830 Sagebrush Dr Austin, Texas 78758
 (512) 452-1515 (800) 428-7412
 Fax (512) 833-7499

www.ctmrs.com
 email: info@ctmrs.com

Seguin – Plant / Sales Office
 720 West IH 10 Seguin, Texas 78155
 (830) 379-3600 (877) 622-8677
 Fax (830) 379-8753

Central Texas Metal Roofing Supply Co., Inc

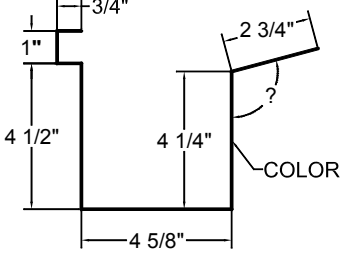
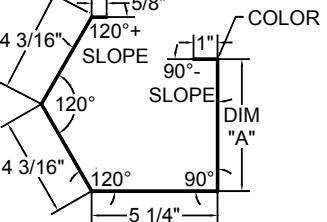
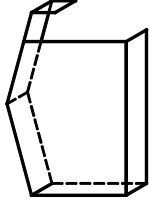
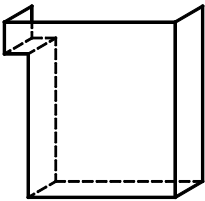
ITEM	DESCRIPTION						
	PART NUMBER	LENGTH	GIRTH	WEIGHT			
EXTENDED VALLEY  SPECIFY ANGLE OR ROOF SLOPE	T202/10	10'-0"	41 1/2"	32.85			
	SLOPE TRANSITION / PITCH CHANGE  SPECIFY ANGLE OR ROOF SLOPE						
SCULPTURED EAVE FLANGE GUTTER  SPECIFY ANGLE OR ROOF SLOPE	T190RP/10	10'-0"	23"	18.21			
	T190RP/20	20'-2"	23"	36.72			
SCULPTURED GUTTER  SPECIFY ANGLE OR ROOF SLOPE	T191RP/10	10'-0"	23 1/2"	18.60			
	T191RP/20	20'-2"	23 1/2"	37.52			
T190 - A = 6 1/2". Up to 4/12 Slope. T191 - A = 7". 4/12 to 6/12 Slope							
T195 - A = 6 1/2". Up to 4/12 Slope. T196 - A = 7". 4/12 to 6/12 Slopes.							
Kynar 500 ® Flashing – 24Ga Typ. Galvalume® and SMP Flashing – 26Ga Typ. Galvalume® = Acrylic Coated Galvalume Galvalume is a trademark of BIEC , Inc.							

Austin – Headquarters / Sales Office
 830 Sagebrush Dr Austin, Texas 78758
 (512) 452-1515 (800) 428-7412
 Fax (512) 833-7499

www.ctmrs.com
 email: info@ctmrs.com

Seguin – Plant / Sales Office
 720 West IH 10 Seguin, Texas 78155
 (830) 379-3600 (877) 622-8677
 Fax (830) 379-8753

Central Texas Metal Roofing Supply Co., Inc

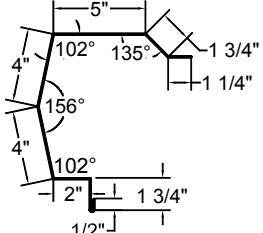
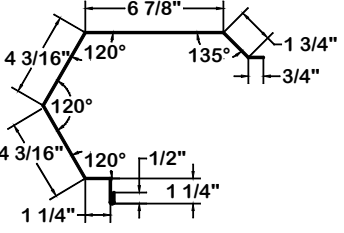
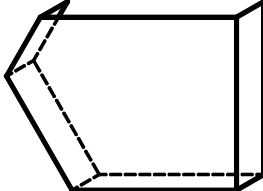
ITEM	DESCRIPTION						
	PART NUMBER	LENGTH	GIRTH	WEIGHT			
BOX EAVE FLANGE GUTTER 	T197RP/10	10'-0"	18 5/8"	14.15			
	T197RP/20	20'-2"	18 5/8"	28.54			
STYLE TYPE GUTTER 	T210RP/10	10'-0"	20 3/4"	16.43			
	T210RP/20	20'-2"	20 3/4"	33.13			
	T211RP/10	10'-0"	21 1/4"	16.82			
	T211RP/20	20'-2"	21 1/4"	33.93			
T210 - A = 5 1/2". Up to 4/12 Slope. T211 - A = 6". 4/12 to 6/12 Slopes.							
GUTTER END - SCULPTURED OR STYLE TYPE GUTTER 	T198	N/A	N/A	0.39			
GUTTER END - BOX GUTTER 	T199	N/A	N/A	0.20			
Kynar 500 ® Flashing – 24Ga Typ. Galvalume® and SMP Flashing – 26Ga Typ. Galvalume® = Acrylic Coated Galvalume Galvalume is a trademark of BIEC , Inc.							

Austin – Headquarters / Sales Office
 830 Sagebrush Dr Austin, Texas 78758
 (512) 452-1515 (800) 428-7412
 Fax (512) 833-7499

www.ctmrs.com
 email: info@ctmrs.com

Seguin – Plant / Sales Office
 720 West IH 10 Seguin, Texas 78155
 (830) 379-3600 (877) 622-8677
 Fax (830) 379-8753

Central Texas Metal Roofing Supply Co., Inc

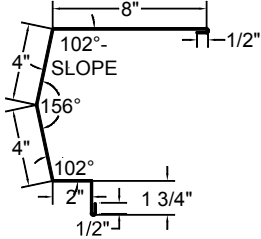
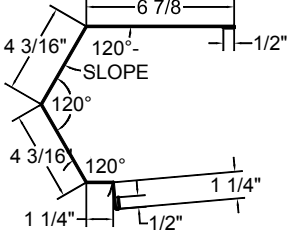
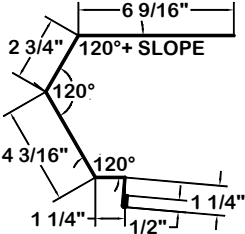
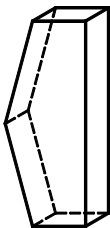
ITEM	DESCRIPTION				
<p>SCULPTURED RAKE</p>  <p>SPECIFY ANGLE OR ROOF SLOPE</p>	PART NUMBER	LENGTH	GIRTH	WEIGHT	
	T212RP/10	10'-0"	20 1/4"	16.03	
	T212RP/20	20'-2"	20 1/4"	32.33	
<p>STYLE TYPE RAKE</p>  <p>SPECIFY ANGLE OR ROOF SLOPE</p>	PART NUMBER	LENGTH	GIRTH	WEIGHT	
	T220RP/10	10'-0"	20 3/4"	16.43	
	T220RP/20	20'-2"	20 3/4"	33.13	
<p>SCULPTURED RAKE PEAK BOX</p> <p>SPECIFY ANGLE OR ROOF SLOPE</p>	PART NUMBER	LENGTH	GIRTH	WEIGHT	
	T215RP	N/A	N/A	3.00	
<p>STYLE TYPE RAKE PEAK BOX</p> <p>SPECIFY ANGLE OR ROOF SLOPE</p>	T216RP	N/A	N/A	3.00	
<p>STYLE TYPE RAKE END CAP</p> 	PART NUMBER	LENGTH	GIRTH	WEIGHT	
	T218RP	N/A	N/A	7.49	
<p>Kynar 500 ® Flashing – 24Ga Typ. Galvalume® and SMP Flashing – 26Ga Typ. Galvalume® = Acrylic Coated Galvalume Galvalume is a trademark of BIEC , Inc.</p>					

Austin – Headquarters / Sales Office
830 Sagebrush Dr Austin, Texas 78758
(512) 452-1515 (800) 428-7412
Fax (512) 833-7499

www.ctmrs.com
email: info@ctmrs.com

Seguin – Plant / Sales Office
720 West IH 10 Seguin, Texas 78155
(830) 379-3600 (877) 622-8677
Fax (830) 379-8753

Central Texas Metal Roofing Supply Co., Inc

ITEM	DESCRIPTION						
	PART NUMBER	LENGTH	GIRTH	WEIGHT			
SCULPTURED HIGH SIDE EAVE  SPECIFY ANGLE OR ROOF SLOPE	T222RP/10	10'-0"	20 3/4"	16.43			
	T222RP/20	20'-2"	20 3/4"	33.13			
STYLE TYPE HIGH SIDE EAVE  SPECIFY ANGLE OR ROOF SLOPE	T223RP/10	10'-0"	18 3/4"	14.84			
	T223RP/20	20'-2"	18 3/4"	29.93			
STYLE TYPE LOW EAVE  SPECIFY ANGLE OR ROOF SLOPE	T224RP/10	10'-0"	16 1/2"	13.06			
	T224RP/20	20'-2"	16 1/2"	26.34			
SCULPTURED HIGH SIDE EAVE - END CAP 	T225RP	N/A	N/A	0.75			

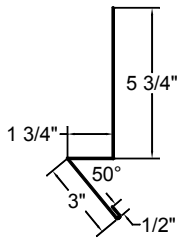
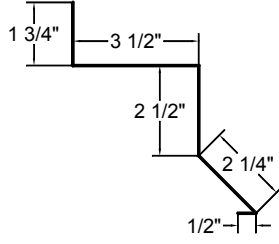
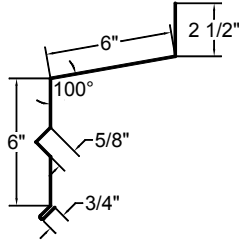
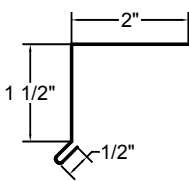
Kynar 500 ® Flashing – 24Ga Typ.
 Galvalume® and SMP Flashing – 26Ga Typ.
 Galvalume® = Acrylic Coated Galvalume
 Galvalume is a trademark of BIEC , Inc.

Austin – Headquarters / Sales Office
 830 Sagebrush Dr Austin, Texas 78758
 (512) 452-1515 (800) 428-7412
 Fax (512) 833-7499

www.ctmrs.com
 email: info@ctmrs.com

Seguin – Plant / Sales Office
 720 West IH 10 Seguin, Texas 78155
 (830) 379-3600 (877) 622-8677
 Fax (830) 379-8753

Central Texas Metal Roofing Supply Co., Inc

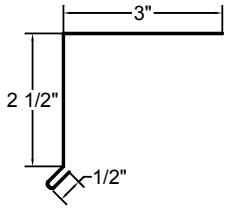
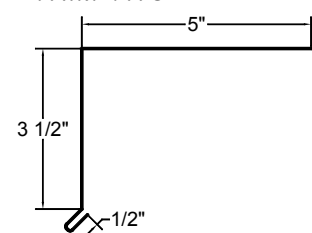
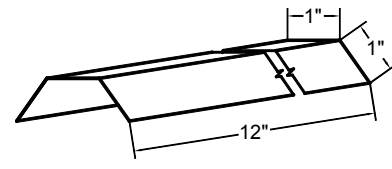
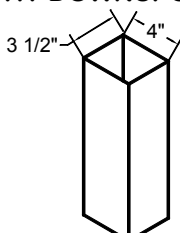
ITEM	DESCRIPTION						
	PART NUMBER	LENGTH	GIRTH	WEIGHT			
MASONRY FLASHING 	T226/10	10'-0"	11"	8.71			
	T226/20	20'-2"	11"	17.56			
NATIONAL TRACK COVER 	T227/10	10'-0"	10 1/2"	8.31			
	T227/20	14'-2"	10 1/2"	16.76			
SLIDING DOOR HOOD 	T228/10	10'-0"	16"	12.67			
	T228/142	14'-2"	16"	25.54			
EAVE TRIM 2 X 2 	T300/10	10'-0"	4 1/2"	3.56			
	T300/20	20'-2"	4 1/2"	7.18			
SPECIFY ANGLE OR ROOF SLOPE							
Kynar 500 ® Flashing – 24Ga Typ. Galvalume® and SMP Flashing – 26Ga Typ. Galvalume® = Acrylic Coated Galvalume Galvalume is a trademark of BIEC , Inc.							

Austin – Headquarters / Sales Office
 830 Sagebrush Dr Austin, Texas 78758
 (512) 452-1515 (800) 428-7412
 Fax (512) 833-7499

www.ctmrs.com
 email: info@ctmrs.com

Seguin – Plant / Sales Office
 720 West IH 10 Seguin, Texas 78155
 (830) 379-3600 (877) 622-8677
 Fax (830) 379-8753

Central Texas Metal Roofing Supply Co., Inc

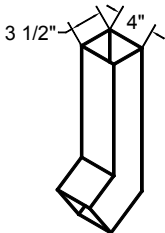
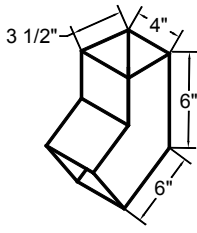
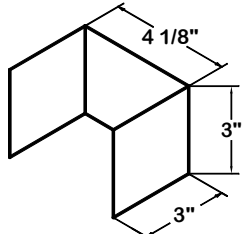
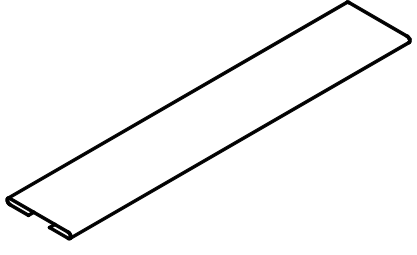
ITEM	DESCRIPTION						
	PART NUMBER	LENGTH	GIRTH	WEIGHT			
EAVE TRIM 3 X 3  SPECIFY ANGLE OR ROOF SLOPE	T301/10	10'-0"	6 1/2"	5.15			
	T301/20	20'-2"	6 1/2"	10.38			
EAVE TRIM 4 X 5  SPECIFY ANGLE OR ROOF SLOPE	T302/10	10'-0"	9 1/2"	7.52			
	T302/20	20'-2"	9 1/2"	15.17			
GUTTER STRAP 	T303/12	12"	3"	0.23			
	T303/10	10'-0"	3"	2.38			
STRAIGHT DOWNSPOUT 	T305/10	10'-0"	16 1/2"	13.26			
	T305/20	20'-2"	16 1/2"	26.74			
Kynar 500 ® Flashing – 24Ga Typ. Galvalume® and SMP Flashing – 26Ga Typ. Galvalume® = Acrylic Coated Galvalume Galvalume is a trademark of BIEC , Inc.							

Austin – Headquarters / Sales Office
 830 Sagebrush Dr Austin, Texas 78758
 (512) 452-1515 (800) 428-7412
 Fax (512) 833-7499

www.ctmrs.com
 email: info@ctmrs.com

Seguin – Plant / Sales Office
 720 West IH 10 Seguin, Texas 78155
 (830) 379-3600 (877) 622-8677
 Fax (830) 379-8753

Central Texas Metal Roofing Supply Co., Inc

ITEM	DESCRIPTION						
	PART NUMBER	LENGTH	GIRTH	WEIGHT			
DOWNSPOUT WITH ELBOW 	T306/10	10'-0"	16 1/2"	13.26			
	T306/20	20'-2"	16 1/2"	26.74			
DOWNSPOUT ELBOW 	T310/45	12"	16 1/2"	1.38			
	T310/90	12"	16 1/2"	1.38			
T310/45 = 45 DEGREE ELBOW T310/90 = 90 DEGREE ELBOW							
DOWNSPOUT STRAP 	T311	3	10 1/8"	0.20			
UNIVERSAL STRAP 	T21/10	10'-0"	3"	2.38			

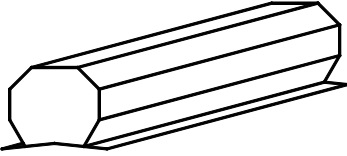
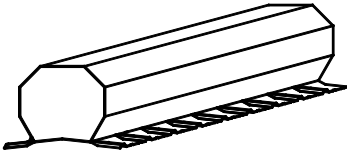
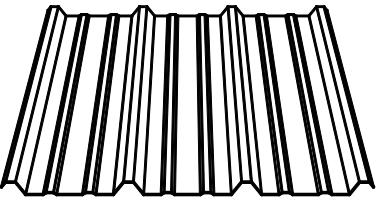
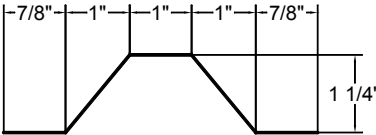
Kynar 500 ® Flashing – 24Ga Typ.
 Galvalume® and SMP Flashing – 26Ga Typ.
 Galvalume® = Acrylic Coated Galvalume
 Galvalume is a trademark of BIEC , Inc.

Austin – Headquarters / Sales Office
 830 Sagebrush Dr Austin, Texas 78758
 (512) 452-1515 (800) 428-7412
 Fax (512) 833-7499

www.ctmrs.com
 email: info@ctmrs.com

Seguin – Plant / Sales Office
 720 West IH 10 Seguin, Texas 78155
 (830) 379-3600 (877) 622-8677
 Fax (830) 379-8753

Central Texas Metal Roofing Supply Co., Inc


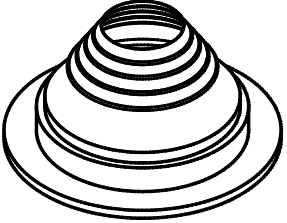
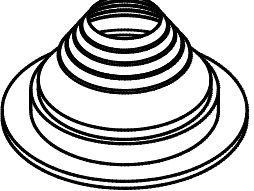
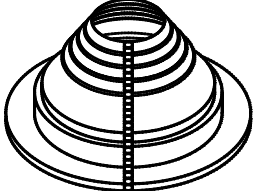
ITEM	DESCRIPTION				PRICE PER EACH	
	PART NUMBER	SIZE	GAUGE	WEIGHT		
CONTINUOUS VENT  WITH BIRD SCREEN AND DAMPER	T50	9" x 10'-0"	26	115.00		
	- SPECIFY ROOF SLOPE - MAX SLOPE – 6/12. - INCLUDES 2 END CAPS AND SINGLE VENT OPERATOR					
CONTINUOUS VENT – DIE FORMED SKIRT  WITH BIRD SCREEN AND DAMPER	T52	9" x 10'-0"	26	115.00		
	- SPECIFY ROOF SLOPE - MAX SLOPE – 6/12. - INCLUDES 2 END CAPS AND SINGLE VENT OPERATOR					
LIGHT TRANSMITTING PANEL 	PART NUMBER	TYPE	LENGTH	WEIGHT	COLOR	
	PRPFG1200	FIBERGLASS	12'-0"	18	WHITE	
	PRPPCWHITE	POLYCARBONATE	12'-0"	17	WHITE	
	PRPPCCLEAR	POLYCARBONATE	12'-0"	17	CLEAR	
	PRPPCSOFT	POLYCARBONATE	12'-0"	17	SOFT WHITE	
LIGHT TRANSMITTING PANEL TRIM 	PART NUMBER	LENGTH	GIRTH	WEIGHT		
	T229	12'-0"	6"	4.94		
Kynar 500 ® Flashing – 24Ga Typ. Galvalume® and SMP Flashing – 26Ga Typ. Galvalume® = Acrylic Coated Galvalume Galvalume is a trademark of BIEC , Inc.						

Austin – Headquarters / Sales Office
 830 Sagebrush Dr Austin, Texas 78758
 (512) 452-1515 (800) 428-7412
 Fax (512) 833-7499

www.ctmrs.com
 email: info@ctmrs.com

Seguin – Plant / Sales Office
 720 West IH 10 Seguin, Texas 78155
 (830) 379-3600 (877) 622-8677
 Fax (830) 379-8753

Central Texas Metal Roofing Supply Co., Inc

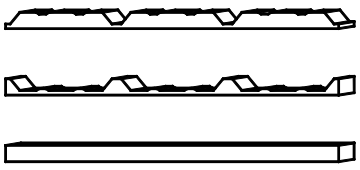
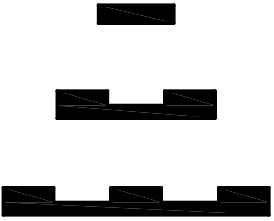
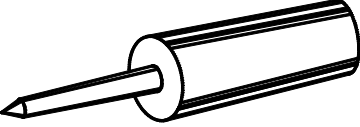
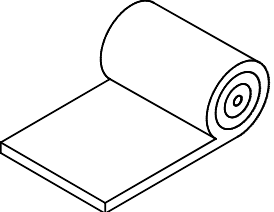
ITEM	DESCRIPTION				PRICE PER EACH		
	PART NUMBER	LENGTH	GIRTH	WEIGHT			
DIE FORMED RIDGE CAP 	DIER	36"	36"	8.89			
	MAXIMUM SLOPE = 6/12.						
PIPE FLASHING – GRAY EPDM 	PART NUMBER	PIPE SIZE RANGE	BASE DIMENSION				
	PFG000	1/4" TO 1 1/8"	3 1/2"				
	PFG001	1/4" TO 2"	4 3/4"				
	PFG002	1 3/4" TO 4"	6 1/4"				
	PFG003	1/4" TO 4"	7 3/4"				
	PFG004	3" TO 6"	9 1/4"				
	PFG005	4" TO 7"	10 3/4"				
	PFG007	6" TO 11"	14 1/2"				
	PFG008	7" TO 13"	16 1/2"				
	PFG009	10" TO 18"	25 3/8"				
	PFG010	16" TO 24"	39 1/2" x 35" sq.				
EPDM RUBBER SERVICE TEMPERATURE –65F TO 250F. IF SLOPE IS MORE THAN 20 DEGREES USE NEXT SIZE UP.							
PIPE FLASHING – RED SILICONE (HIGH TEMPERATURE) 	PART NUMBER	PIPE SIZE RANGE	BASE DIMENSION				
	PFS003	1/4" TO 4"	7 3/4"				
	PFS005	4" TO 7"	10 3/4"				
	PFS008	7" TO 13"	16 1/2"				
	PFS009	10" TO 18"	25 3/8"				
SILICONE SERVICE TEMPERATURE –40F TO 350F. IF SLOPE IS MORE THAN 20 DEGREES USE NEXT SIZE UP.							
RETROFIT PIPE FLASHING – GRAY EPDM 	PART NUMBER	PIPE SIZE RANGE	BASE DIMENSION				
	PFG801	3/4" TO 2 3/4"	6 1/4"				
	PFG802	2" TO 7 1/4"	10 3/4"				
	PFG803	3 1/4" TO 10"	14 1/2"				
EPDM RUBBER SERVICE TEMPERATURE –65F TO 250F. IF SLOPE IS MORE THAN 20 DEGREES USE NEXT SIZE UP.							
Kynar 500® Flashing – 24Ga Typ. Galvalume® and SMP Flashing – 26Ga Typ. Galvalume® = Acrylic Coated Galvalume Galvalume is a trademark of BIEC , Inc.							

Austin – Headquarters / Sales Office
 830 Sagebrush Dr Austin, Texas 78758
 (512) 452-1515 (800) 428-7412
 Fax (512) 833-7499

www.ctmrs.com
 email: info@ctmrs.com

Seguin – Plant / Sales Office
 720 West IH 10 Seguin, Texas 78155
 (830) 379-3600 (877) 622-8677
 Fax (830) 379-8753

Central Texas Metal Roofing Supply Co., Inc

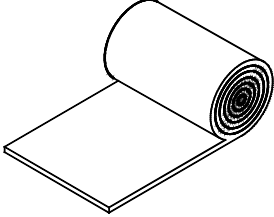
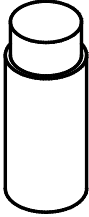
ITEM	DESCRIPTION						
CLOSURE STRIP 	PART NUMBER	SIZE	CARTON QUANTITY	CARTON WEIGHT			
	CGRPOUTSIDE OUTSIDE / TOP	36"	100 PCS	4.09			
	CGRPINSIDE INSIDE/BOTTOM	36"	100 PCS	8.32			
	CGHIP0875 UNIVERSAL	1" X 7/8" X 40"	100 PCS	9.27			
BUTYL TAPE SEALER 	PART NUMBER	SIZE	CARTON QUANTITY	CARTON WEIGHT			
	TAPEBUTYL0375	3/8" X 3/32" X 45'	24 ROLLS	45.20			
	TAPEBUTYL0875	7/8" X 3/16" X 25'	14 ROLLS	60.75			
	TAPE250	2 1/2" X 3/16" X 20'	6 ROLLS	23.00			
CAULK SEALER - TUBE  10 OZ TUBE	PART NUMBER	TYPE	COLOR	CARTON QUANTITY	CARTON WEIGHT		
	TCWM61111CLEAR	ACRYLIC	CLEAR	12	15		
	TCWM62611GRAY	POLYURETHANE	GRAY	12	15		
	TCWM61141BRONZE	POLYURETHANE	BRONZE	12	15		
	TCWM61611BEIGE	POLYURETHANE	BEIGE	12	15		
	TCWM61011WHITE	POLYURETHANE	WHITE	12	15		
	FIBERGLASS BATT INSULATION WITH VINYL BACKING						
BATT INSULATION  R-10 3" THICK VINYL BACKING	ALL BATT INSULATION IS SPECIAL ORDER, PLEASE ASK YOUR SALESPERSON FOR MORE DETAILS AND PRICING.						
	Kynar 500 ® Flashing – 24Ga Typ. Galvalume® and SMP Flashing – 26Ga Typ. Galvalume® = Acrylic Coated Galvalume Galvalume is a trademark of BIEC , Inc.						

Austin – Headquarters / Sales Office
 830 Sagebrush Dr Austin, Texas 78758
 (512) 452-1515 (800) 428-7412
 Fax (512) 833-7499

www.ctmrs.com
 email: info@ctmrs.com

Seguin – Plant / Sales Office
 720 West IH 10 Seguin, Texas 78155
 (830) 379-3600 (877) 622-8677
 Fax (830) 379-8753

Central Texas Metal Roofing Supply Co., Inc

ITEM	DESCRIPTION				
 <p>SINGLE BUBBLE FOIL BACKING</p>	PART NUMBER	LENGTH	WIDTH	WEIGHT	
	INSAAS48FOIL	125'-0"	4'-0"	50.00	
	PART NUMBER	SIZE	TYPE		
	PNTK2	2 OZ	KYNAR - BRUSH ON (BRUSH NOT INCLUDED)		
	PNTS425	4.25 OZ	SMP - BRUSH ON		
<p>Kynar 500 ® Flashing – 24Ga Typ. Galvalume® and SMP Flashing – 26Ga Typ. Galvalume® = Acrylic Coated Galvalume Galvalume is a trademark of BIEC , Inc.</p>					

Austin – Headquarters / Sales Office
 830 Sagebrush Dr Austin, Texas 78758
 (512) 452-1515 (800) 428-7412
 Fax (512) 833-7499

www.ctmrs.com
 email: info@ctmrs.com

Seguin – Plant / Sales Office
 720 West IH 10 Seguin, Texas 78155
 (830) 379-3600 (877) 622-8677
 Fax (830) 379-8753

Central Texas Metal Roofing Supply Co., Inc

TRIM NOTES

1. All Galvalume® and SMP Painted standard trim is 26 gauge.
2. All Kynar 500® and Metallic Kynar 500® standard trim is 24 gauge.
3. 24 gauge Galvalume® trim is available - please request a quote.
4. All painted trim is fabricated with protective film to prevent scratches.
If you prefer trim without plastic film, please indicate this at the time of order.
Please request a quote for custom trim in length of 20'-02" up to 28'-0". Minimum order required.

DELIVERY

- | | |
|--|--|
| 1. Stock colors (See Color Chart) | Approximately 2 Working Days |
| 2. Non stock colors, gauges and metals | Please Inquire with CTMRS sales staff. |

Galvalume® and Acrylic Coated Galvalume® are unfinished products.
Shade variations, color difference and a rate of weathering in unfinished product such as Galvalume® and Acrylic Coated Galvalume® should be anticipated and are not a cause for rejection.
Use a pre-painted finish if uniform weathering and appearance is crucial.

Austin – Headquarters / Sales Office
830 Sagebrush Dr Austin, Texas 78758
(512) 452-1515 (800) 428-7412
Fax (512) 833-7499

www.ctmrs.com
email: info@ctmrs.com

Seguin – Plant / Sales Office
720 West IH 10 Seguin, Texas 78155
(830) 379-3600 (877) 622-8677
Fax (830) 379-8753